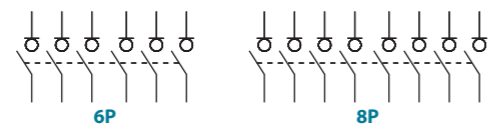


S6N AC Switch - disconnecter base mounting 6P - 8P

Calibre 1
A 250|315|400|500



6P	CÓDIGO-250A	CÓDIGO-315A	CÓDIGO-400A	CÓDIGO-500A
	S6N02506PS0	S6N03156PS0	S6N04006PD0	S6N05006PD0
8P	S6N02508PS0	S6N03158PS0	S6N04008PD0	S6N05008PD0



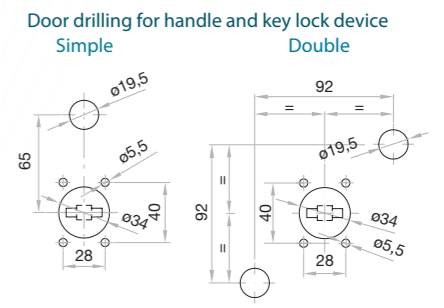
Accessories

- Direct handle**
CODE DS-SI11
- External handle** included shaft*(e1)
IP65
CODE DS-SA11
- External handle** without shaft
IP65
CODE DS-SA14
- Emergency external handle** included shaft*(e1)
IP65
CODE DS-SR11

Auxiliary contacts
1NO+1NC CODE D5LAU01
2NO+2NC CODE D5LAU02
Ie = 16 A (resistive loads)
4 A (inductive loads) at 250 Vac.

Safety key lock device
Simple CODE DS-CA11
Double CODE DS-CE11

For external handle, lock the handle by means of a key in position "OFF" (under request, in "ON"), the key can only be removed with the handle locked



Shafts

Standard shaft included *(e1)

L (mm)	P (mm)	CODE
227	185... 336	

Shaft extensions

Type 1

L (mm)	P (mm)	CODE
375	185... 486	DS-EP14

Type 2

L (mm)	P (mm)	CODE
536	185... 647	DS-EP15

Technical information



Accoraiñg tō IEC EN 60947-3

		250				315				400				500						
Rated thermal current in ambient at	40° C	A	250	315	400	500	A	250	315	400	500	A	250	315	400	500				
	50° C	A	250	315	400	500	A	250	315	400	500	A	250	315	400	500				
	60° C	A	250	315	400	500	A	250	315	400	500	A	250	315	400	500				
Rated insulation voltage	Ui	V	1000	1000	1000	1000	V	1000	1000	1000	1000	V	1000	1000	1000	1000				
Rated impulse withstand voltage	Uimp	kV	12	12	12	12	kV	12	12	12	12	kV	12	12	12	12				
AC Rated operational current*(1)	Ie	Triphasic	AC21A	A	250	315	400	500	AC22A	A	250	315	400	500	AC23A	A	250	315	400	500
					400V	Ue	250	315			400	500	250	315			400	500		
							250	315			400	500	250	315			400	500		
Rated breaking capacity	400V, cos φ=0,35-0,45	A	2000	2520	3200	3200	A	2000	2520	3200	3200	A	2000	2520	3200	3200				
Rated making capacity	400V, cos φ=0,45	A	2500	3150	4000	4000	A	2500	3150	4000	4000	A	2500	3150	4000	4000				

Short-circuit behaviour

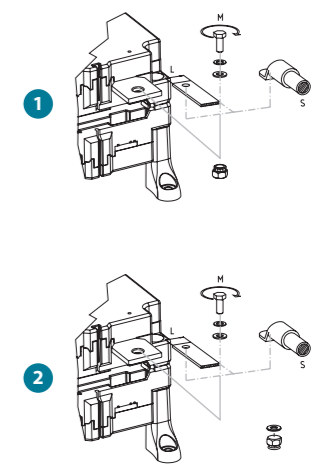
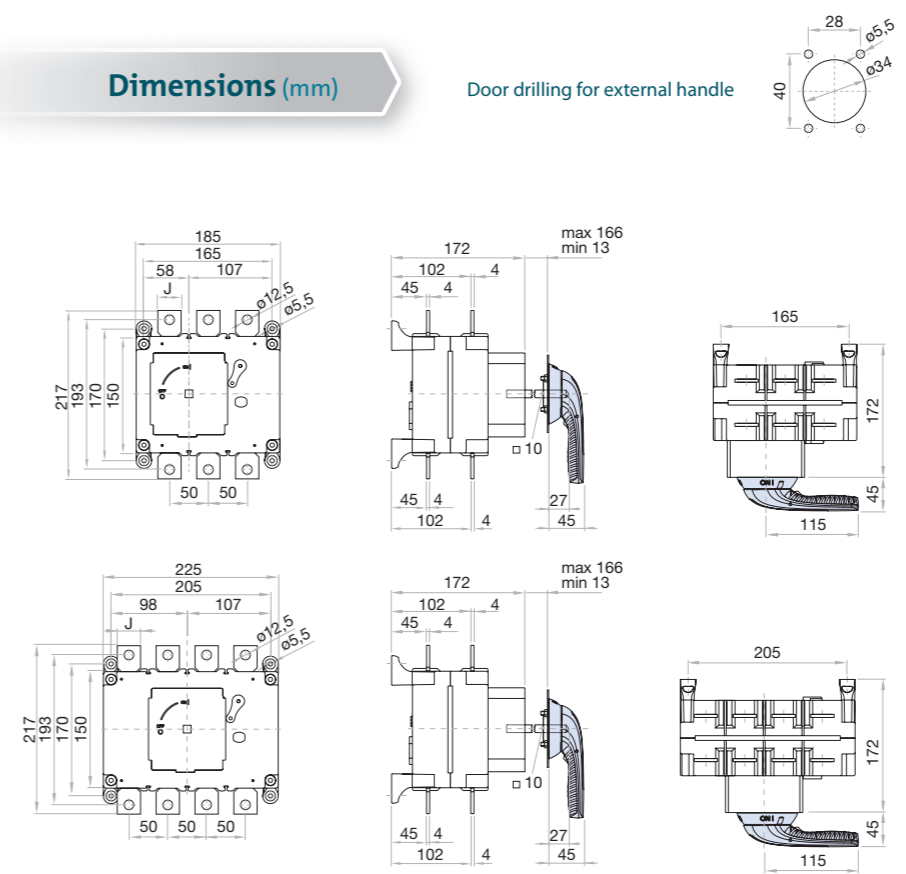
		250				315				400				500			
Rated short-circuit making capacity*(2)	Icm	kA (peak)	20	20	20	20	kA (peak)	20	20	20	20	kA (peak)	20	20	20	20	
Rated short-time withstand current (1 sec)	Icw	kA rms	12	12	12	12	kA rms	12	12	12	12	kA rms	12	12	12	12	

Mechanical features

Number of mechanical operations (according to the standards, for other values please consult)	Cycles	8000	8000	8000	8000
---	--------	------	------	------	------

*1) Other voltages and / or utilization categories. Please consult
*2) Without limiting protective device (short-circuit maintained 50... 100 ms.)

Dimensions (mm)



J	S max (Cu) mm²	H max (Cu) mm	L max (Cu) mm	M
250 A	25	120	8	25 M12
315 A	25	185	8	25 M12
400 A	30	240	8	30 M12
500 A	30	2X150	2X7	30 M12



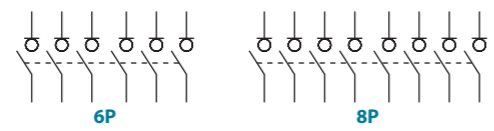
S6N AC Switch - disconnecter base mounting 6P - 8P

Calibre 2

A 630 | 800



CÓDIGO - 630A S6N06306PS0
 CÓDIGO - 800A S6N08006PD0
 6P S6N06308PS0
 8P S6N08008PD0



Accessories

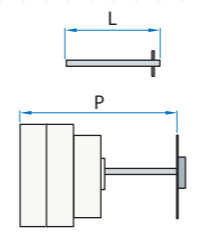
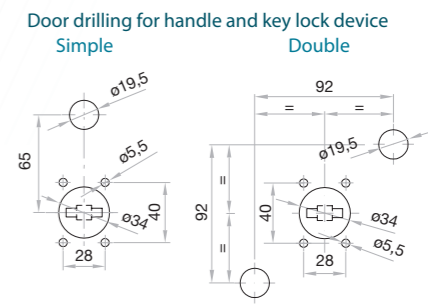
- Direct handle**
CODE DS-LI21
- External handle** included shaft ^{*(e1)}
IP65
CODE DS-LA21
- External handle** without shaft
IP65
CODE DS-LA24
- Emergency external handle** included shaft ^{*(e1)}
IP65
CODE DS-LR21



Auxiliary contacts
 1NO+1NC CODE D5LAU01
 2NO+2NC CODE D5LAU02
 Ie = 16A (resistive loads)
 4A (inductive loads) at 250 Vac.



Safety key lock device
 Simple CODE DS-CB21
 Double CODE DS-CF21
 For external handle, lock the handle by means of a key in position "OFF" (under request, in "ON"), the key can only be removed with the handle locked



Shafts
Standard shaft included ^{*(e1)}
 L (mm) | P (mm) | CODE
 195 | 244... 350 |
Shaft extensions
 Type 1
 L (mm) | P (mm) | CODE
 345 | 244... 500 | DS-EP23
 Type 2
 L (mm) | P (mm) | CODE
 535 | 244... 690 | DS-EP24

Technical information



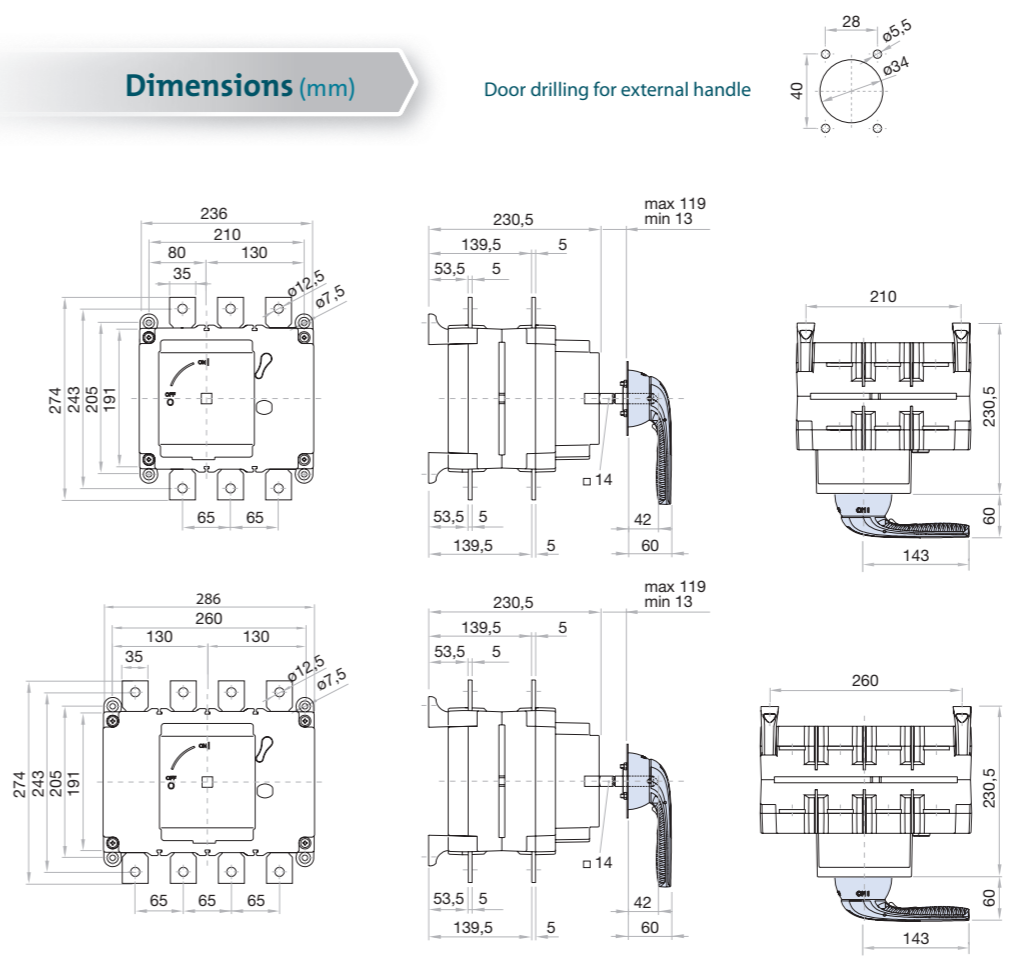
According to IEC / EN 60947-3

		630		800	
Rated thermal current in ambient at	40° C	A	630	A	800
	50° C	A	630	A	800
	60° C	A	630	A	800
Rated insulation voltage	Ui	V	1000	1000	
Rated impulse withstand voltage	Uimp	kV	12	12	
AC Rated operational current ^{*(1)}	Triphasic Ue 400V	AC21B A	630	800	
		AC22B A	630	800	
		AC23B A	630	800	
Rated breaking capacity	400V, cos φ=0,35-0,45	A	5040	6400	
Rated making capacity	400V, cos φ=0,45	A	6300	8000	

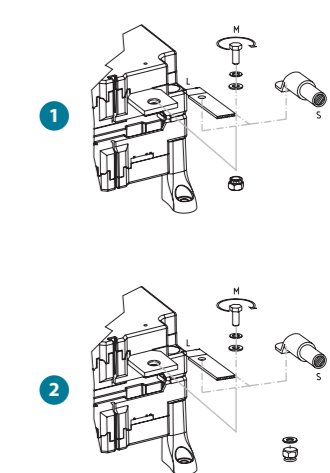
^{*(1)} Other voltages and / or utilization categories. Please consult
^{*(2)} Without limiting protective device (short-circuit maintained 50... 100 ms.)

		630		800	
Short - circuit behaviour					
Rated short-circuit making capacity ^{*(2)}	Icm	kA (peak)	26	26	
Rated short-time withstand current (1sec)	Icw	kA rms	16	16	
Mechanical features					
Number of mechanical operations (according to the standards, for other values please consult)	Cycles		800	800	

Dimensions (mm)



Door drilling for external handle



	S max (Cu)	H max (Cu)	L max (Cu)	T	M
	mm ²	mm	mm		Nxm
630 A	2X185	2x6	35	M12	24
800 A	2x240	2x7	35	M12	24

