



# S6R DC Switch - disconnecter base mounting 1P - 2P

**Size 1**  
A 160|200|250|315|400  
1500Vdc

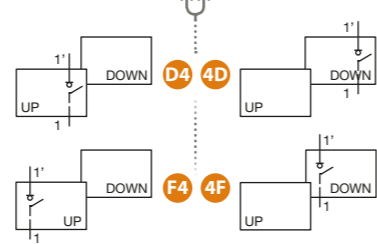
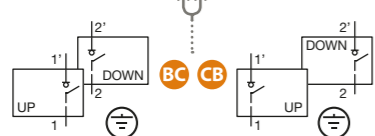


CODE-2P

160 A	S6R0160_S0
200 A	S6R0200_S0
250 A	S6R0250_S0
315 A	S6R0315_S0
400 A	S6R0400_D0

CODE-1P

160 A	S6R0160_S0
200 A	S6R0200_S0
250 A	S6R0250_S0
315 A	S6R0315_S0
400 A	S6R0400_D0



## Technical information



According to IEC 60947-1  
IEC 60947-3

CONSULT FOR GROUNDED INSTALLATIONS

		160	200	250	315	400
Rated thermal current in ambient at 40°C up to 80°C	I <sub>th</sub>	A 160	200	250	315	400
Rated insulation voltage (DC)	U <sub>i</sub>	V 1500	1500	1500	1500	1500
Rated impulse withstand voltage	U <sub>imp</sub>	kV 12	12	12	12	12
Rated operational current <sup>*(1)</sup>	U <sub>e</sub>	160	200	250	315	400
DC21B	I <sub>e</sub>	1500Vdc	A			

<sup>\*(1)</sup> Other voltages and / or utilization categories. Please consult  
<sup>\*(2)</sup> Without limiting protective device (short-circuit maintained 50... 100 ms.)

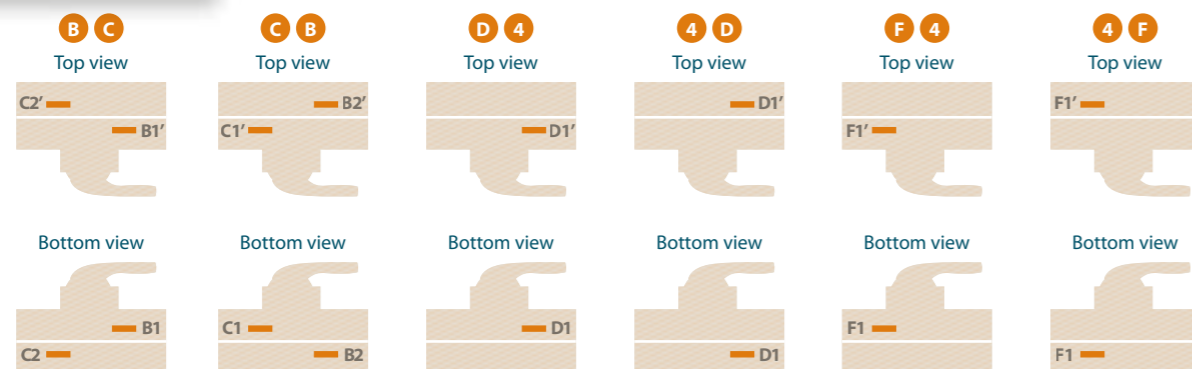
**Short - circuit behaviour**

Rated short-circuit making capacity <sup>*(2)</sup>	I <sub>cm</sub>	kA (peak)	10
Rated short-time withstand current (1sec)	I <sub>cw</sub>	kA rms	10

**Mechanical features**

Number of mechanical operations (according to the standards, for other values please consult)	Cycles	8000
---	--------	------

## Terminals location

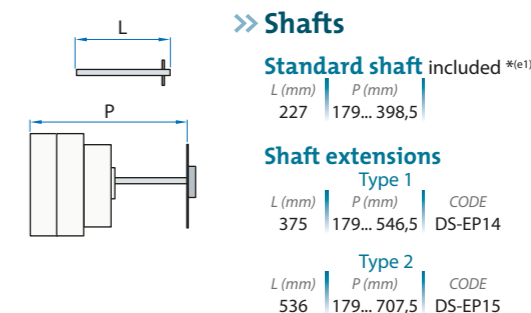


## Accessories

**Direct handle**  
CODE DS-SI11

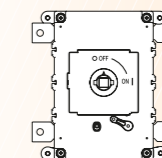
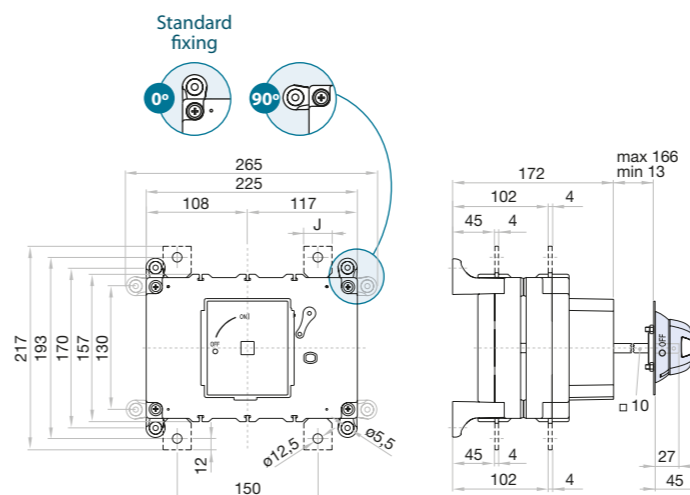
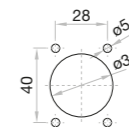
**Auxiliary contacts**  
1NO+1NC CODE D5LAU01  
2NO+2NC CODE D5LAU02  
I<sub>e</sub> = 16 A (resistive loads)  
4 A (inductive loads) at 250 Vac.

**External handle** included shaft <sup>\*(e1)</sup>  
IP65  
CODE DS-SA11



## Dimensions (mm)

Door drilling for external handle



For rotated mounting there are **S6R** references with front plate rotated (supply under request).

	J	S max (Cu) mm <sup>2</sup>	H max (Cu) mm	L max (Cu) mm	T	M <sup>+5%</sup> <sub>-10%</sub> Nxmm
160 A	25	160 A 185	8	25	M12	24
200 A	25	200 A 185	8	25	M12	24
250 A	25	250 A 185	8	25	M12	24
315 A	25	315 A 185	8	25	M12	24
400 A	30	400 A 240	8	30	M12	24



# S6R DC UL Switch - disconnecter for DC current 1P - 2P

Size 1	
A	250 320 400
1500Vdc	

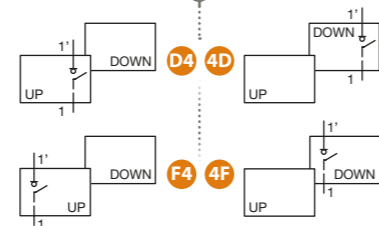
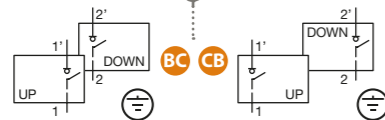


CODE - 2P

250 A	S6R0250	S00L
320 A	S6R0320	S00L
400 A	S6R0400	D00L

CODE - 1P

250 A	S6R0250	S00L
320 A	S6R0320	S00L
400 A	S6R0400	D00L



## Technical information



According to UL98 B

LISTED E333311		250	320	400	
Rated thermal current	I <sub>th</sub> -20°C to 50°C	A	250	320	400
Rated operational current	I <sub>e</sub> 1500Vdc	A	250	320	400
Rated short-time withstand current (0,05 sec)	I <sub>cw</sub>	kA	10	10	10
Maximum weight		Consult according to code			
Wiring capacity					
Minimum busbar connection range		mm <sup>2</sup>	2x 4x30	2x 4x32	2x 4x32

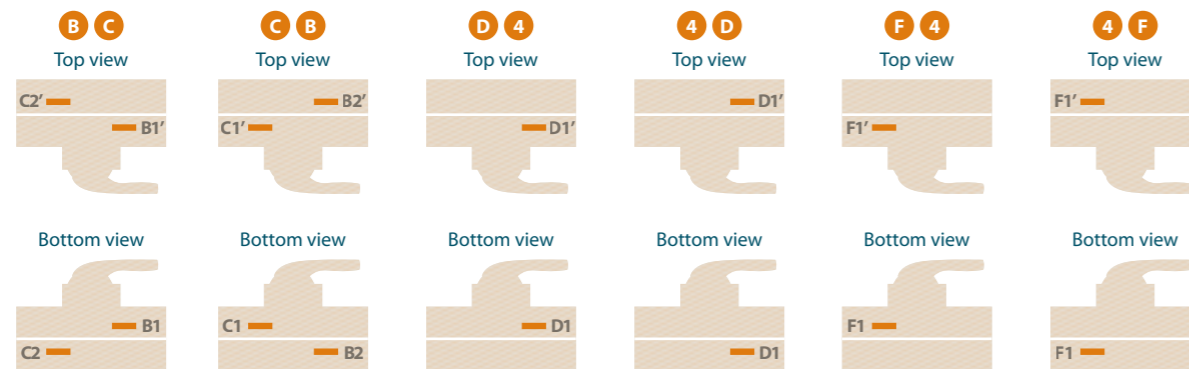
tests: **AIT** AUSTRIAN INSTITUTE OF TECHNOLOGY TOMORROW TODAY

**CONSULT FOR GROUNDED INSTALLATIONS**

Conforms to UL98B. Minus -20 to 50°C. PV disconnect switch. Location Category B Suitable for use in PV Systems in accordance with Article 690 of the NEC

Patent USA  
N.º 9,899,159 B2

## Terminals location



## Accessories

**External handle** included shaft <sup>\*(e1)</sup>  
IP65  
CODE DS-SA11

**Auxiliary contacts**  
1NO+1NC CODE D5LAU01  
2NO+2NC CODE D5LAU02  
I<sub>e</sub> = 16 A (resistive loads)  
4 A (inductive loads) at 250 Vac.

## Shafts

**Standard shaft** included <sup>\*(e1)</sup>  
L (mm) | P (mm)  
227 | 185... 336

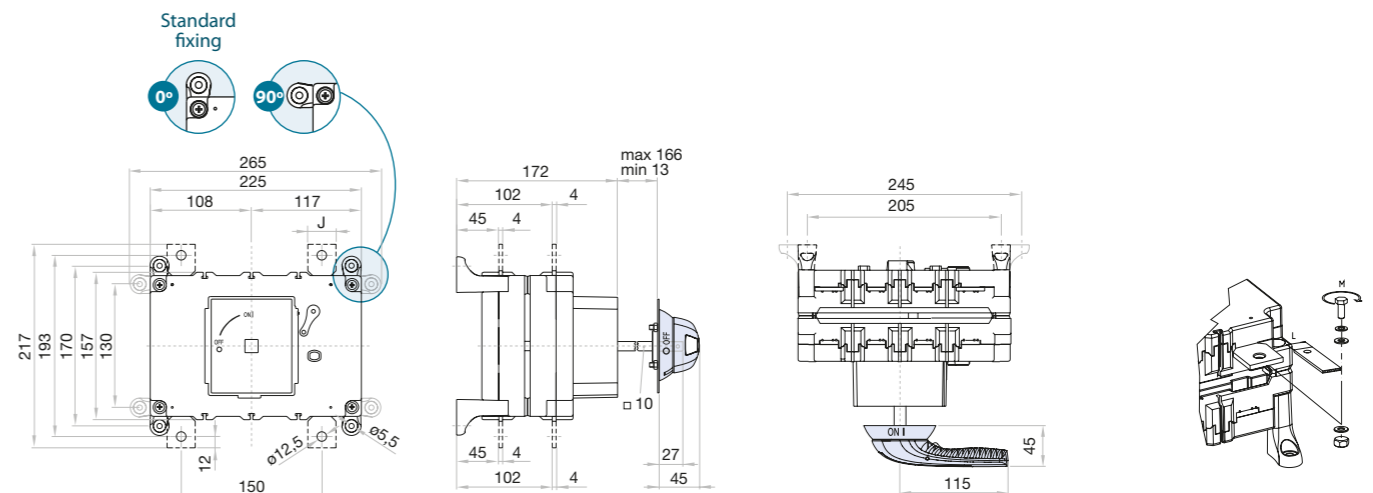
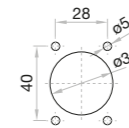
## Shaft extensions

Type 1  
L (mm) | P (mm) | CODE  
375 | 185... 486 | DS-EP14

Type 2  
L (mm) | P (mm) | CODE  
536 | 185... 647 | DS-EP15

## Dimensions (mm)

Door drilling for external handle



	J	H max (Cu)		L max (Cu)		T	M
		mm	lb.inch	mm	lb.inch		
250 A	25	4	5/32	30	1-3/16	M12	24 212
320 A	30	4	5/32	32	1-1/4	M12	24 212
400 A	30	4	5/32	32	1-1/4	M12	24 212