

CITA

Enclosed cam switch IP55

(metallic enclosure - aluminium)
1P up to 4P

Size 0
A 12|20
IP55



CITA

Technical information



According to IEC 60947-3

| According to IEC 60947-3 | | | CITA T12 | CITA T20 |
|---|------------------|-----------------|-------------|-------------|
| Rated thermal current | Ith | A | 16 | 25 |
| Rated insulation voltage | Ui | V | 500 | 500 |
| Rated impulse withstand voltage | Uimp | kV | 6 | 6 |
| AC rated operational current | Ie | Ue 415V AC21A | A 16 | 25 |
| | | Ue 415V AC22A | A 16 | 25 |
| | | Ue 415V AC23A | A 10 | 25 |
| Rated conditional short-circuit current | | kA | 10 | 10 |
| Rated maximum current | gL-gG | A | 25 | 25 |
| Rated breaking capacity | 400V; cos φ=0,45 | A | 80 | 100 |
| Rated short-time withstand current (1 sec) | | A | 240 | 400 |
| Mechanical durability (according to the standards, for other values please consult) | | | 10000 | 10000 |
| Rigid copper conductor | | mm ² | 2x4 | 2x4 |
| Flexible copper conductor | | mm ² | 2x2,5 | 2x2,5 |

Normal service conditions:

Ambient air temperature (°C): -5°...+40°. Maximum altitude: 2.000 m. Maximum humidity: 90%. Pollution degree: 3 (standard for industrial applications). Rated frequency at AC utilization categories: 50/60 Hz.

Rated duties at utilization categories AC21A, AC22A and AC23A: Continuing (8 hours); uninterrupted.

Code 1 2 3 4 5 6 7 8 9 10 11 12 13 14 15 16

Series | Amp
CITA0012
CITA0020

Diagram

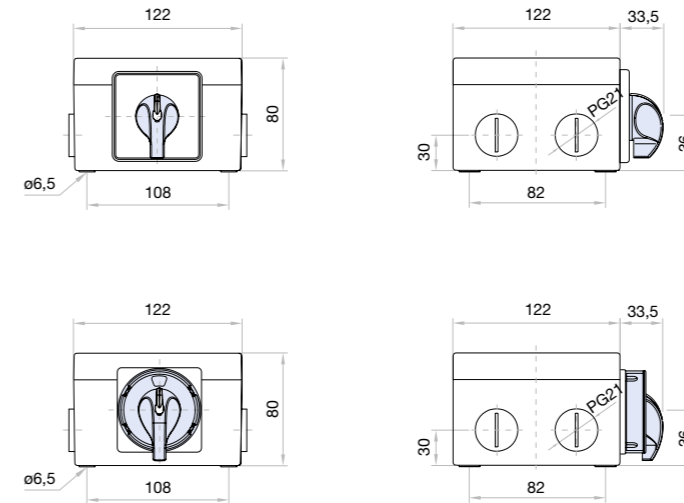
| Poles | Posit. 0 1 | Chambers | | | |
|-------|---------------|----------|---|---|----|
| | | 1 | 2 | 3 | 4 |
| 1 | X | 00010 | | | |
| 2 | X | 00011 | | | 1□ |
| 3 | X | 00012 | | | 2□ |
| 4 | X | 00013 | | | |

Plate and handle

Arrow handle
1N1 1R1

Padlockable handle
7N0 7R0

Dimensions (mm)



(in & out by cable gland - not included)

CITA

Enclosed cam switch IP55

(metallic enclosure - aluminium)
1P up to 4P

Size 1
A 16|25|32|40
IP55



CITA

Technical information



According to IEC 60947-3

| According to IEC 60947-3 | | | CITA T16 | CITA T25 | CITA T32 | CITA T40 | |
|---|--------------------------------|-----------------|----------|----------|----------|----------|----|
| Rated thermal current | I _{th} | A | 25 | 32 | 40 | 50 | |
| Rated insulation voltage | U _i | V | 690 | 690 | 690 | 690 | |
| Rated impulse withstand voltage | U _{imp} | kV | 6 | 6 | 8 | 8 | |
| AC rated operational current | I _e | Ue 415V AC21A | A | 25 | 32 | 40 | 50 |
| | | Ue 415V AC22A | A | 25 | 32 | 40 | 50 |
| | | Ue 415V AC23A | A | 16 | 20 | 25 | 32 |
| Rated conditional short-circuit current | | kA | 10 | 10 | 10 | 10 | |
| Rated maximum current | g _L -g _G | A | 32 | 32 | 50 | 50 | |
| Rated breaking capacity | 400V; cos φ=0,45 | A | 160 | 200 | 256 | 320 | |
| Rated short-time withstand current (1 sec) | | A | 500 | 650 | 800 | 800 | |
| Mechanical durability (according to the standards, for other values please consult) | | | 10000 | 10000 | 10000 | 10000 | |
| Rigid copper conductor | | mm ² | 2x6 | 2x6 | 2x10 | 2x10 | |
| Flexible copper conductor | | mm ² | 2x4 | 2x4 | 2x6 | 2x6 | |

Normal service conditions:

Ambient air temperature (°C): -5°...+40°. Maximum altitude: 2.000 m. Maximum humidity: 90%. Pollution degree: 3 (standard for industrial applications). Rated frequency at AC utilization categories: 50/60 Hz.
Rated duties at utilization categories AC21A, AC22A and AC23A: Continuing (8 hours); uninterrupted.

Series | Amp

- CITA0016
- CITA0025
- CITA0032
- CITA0040



Diagram

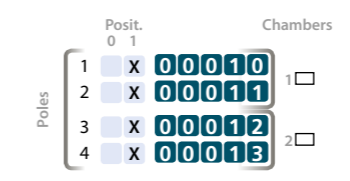
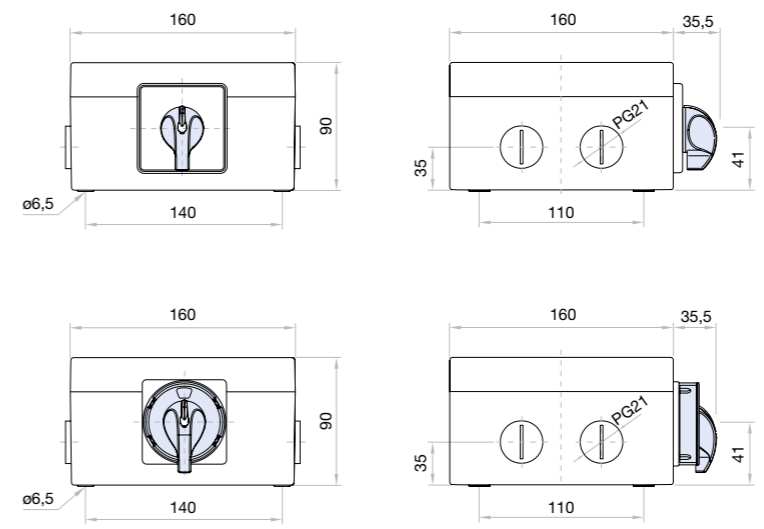


Plate and handle



Dimensions (mm)



(in & out by cable gland - not included)

CITA | CITC

Enclosed cam switch IP55

(metallic enclosure - aluminium - cast iron)
1P up to 4P

Size 2
A 50|63|80|100|125|175



CITA

CITC

Technical information



According to IEC 60947-3

| According to IEC 60947-3 | | CITA T50 | CITA T63 | CITA T80 | CITC T100 | CITC T125 | CITC T175 | |
|---|--------------------------------|---------------------------|-----------------------|-----------------------|-----------------------|-----------------------|--------------------|-----|
| Rated thermal current | I _{th} | A 63 | 80 | 80 | 125 | 125 | 200 | |
| Rated insulation voltage | U _i | V 690 | 690 | 690 | 690 | 690 | 1000 | |
| Rated impulse withstand voltage | U _{imp} | kV 8 | 8 | 8 | 8 | 8 | 8 | |
| AC rated operational current | I _e | U _e 415V AC21A | A 63 | 80 | 80 | 125 | 125 | 200 |
| | | U _e 415V AC22A | A 63 | 80 | 80 | 115 | 115 | 200 |
| | | U _e 415V AC23A | A 63 | 63 | 63 | 100 | 100 | 200 |
| Rated conditional short-circuit current | | kA 15 | 15 | 15 | 15 | 15 | 15 ^{*(2)} | |
| Rated maximum current | g _L -g _G | A 80 | 80 | 80 | 125 | 125 | 160 | |
| Rated breaking capacity | 400V; cos φ=0,45 | A 504 | 504 | 504 | 640 | 640 | 1600 | |
| Rated short-time withstand current (1 sec) | | A 1600 | 1600 | 1600 | 2500 | 2500 | 3500 | |
| Mechanical durability (according to the standards, for other values please consult) | | 10000 | 10000 | 10000 | 8000 | 8000 | 8000 | |
| Rigid copper conductor | mm ² | 16/25 ^{*(1)} | 16/25 ^{*(1)} | 16/25 ^{*(1)} | 35/50 ^{*(1)} | 35/50 ^{*(1)} | 95 | |
| Flexible copper conductor | mm ² | 10/16 ^{*(1)} | 10/16 ^{*(1)} | 10/16 ^{*(1)} | 16/35 ^{*(1)} | 16/35 ^{*(1)} | 95 | |

*⁽¹⁾ With terminals for connection

*⁽²⁾ Mounting without connection terminals or terminals + phase barriers

Normal service conditions:

Ambient air temperature (°C): -5°...+40°. Maximum altitude: 2.000 m. Maximum humidity: 90%. Pollution degree: 3 (standard for industrial applications). Rated frequency at AC utilization categories: 50/60 Hz.

Rated duties at utilization categories AC21A, AC22A and AC23A: Continuing (8 hours); uninterrupted.

Series | Amp

CITA0050
CITA0063
CITA0080
CITC0100
CITC0125
CITC0175

Code 1 2 3 4 5 6 7 8 9 10 11 12 13 14 15 16

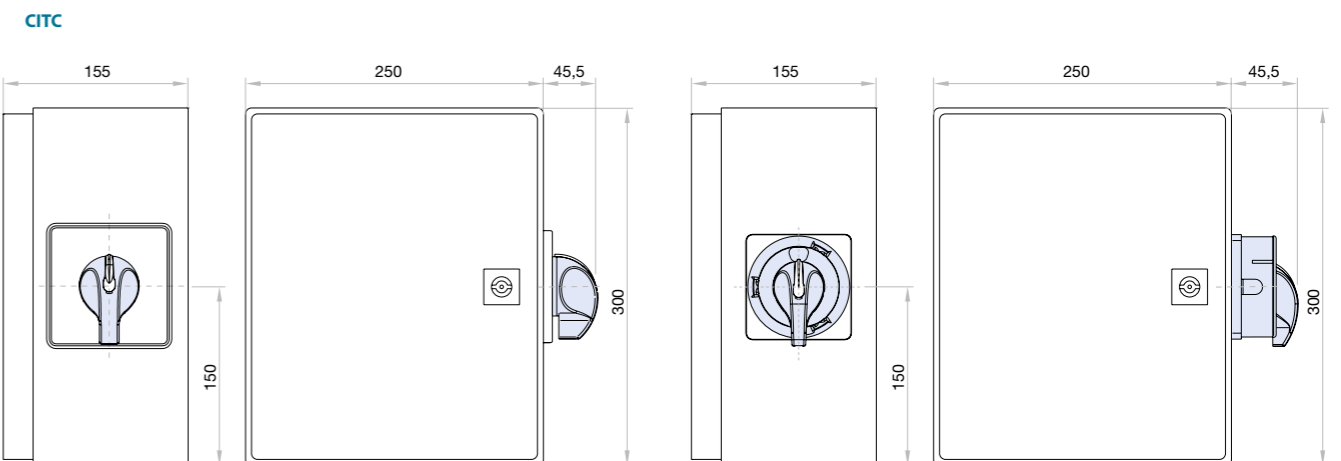
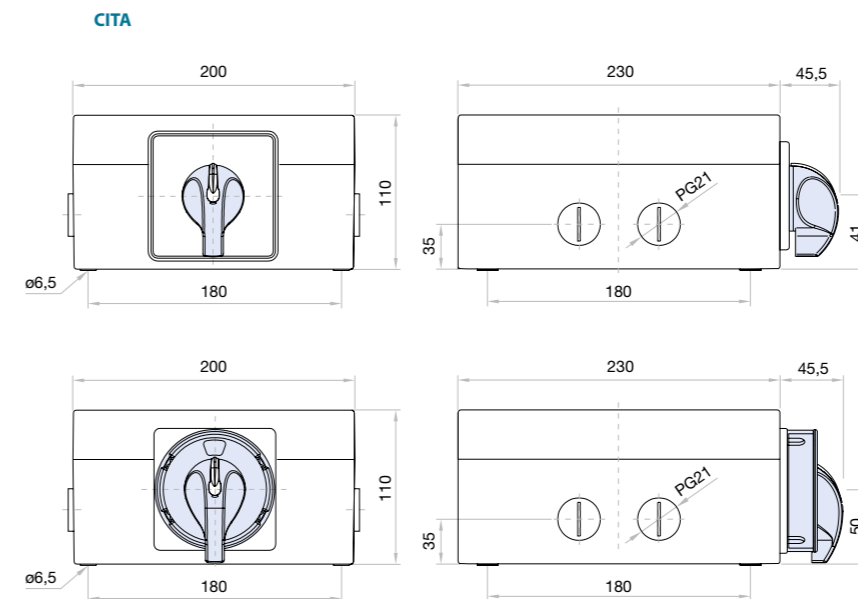
Diagram

| Poles | Posit. 0 1 | Chambers | | | |
|-------|---------------|----------|---|---|---|
| | | 1 | 2 | 3 | 4 |
| 1 | X | 00010 | | | |
| 2 | X | 00011 | | | |
| 3 | X | 00012 | | | |
| 4 | X | 00013 | | | |

Plate and handle



Dimensions (mm)



(in & out by cable gland - not included)

CITC Enclosed cam switch IP55

(metallic enclosure - cast iron with door)
1P up to 4P



CITC

Size 3
A 200|250|315
IP55

Technical information



According to IEC 60947-3

| According to IEC 60947-3 | | | CITC T200 | CITC T250 | CITC T315 | |
|---|--------------------------------|-----------------|-----------|-----------|-----------|-----|
| Rated thermal current | I _{th} | A | 200 | 250 | 315 | |
| Rated insulation voltage | U _i | V | 690 | 690 | 690 | |
| Rated impulse withstand voltage | U _{imp} | kV | 8 | 8 | 8 | |
| AC rated operational current | I _e | Ue 415V AC21A | A | 200 | 250 | 315 |
| | | Ue 415V AC22A | A | 200 | 250 | 315 |
| | | Ue 415V AC23A | A | 200 | 200 | 200 |
| Rated conditional short-circuit current | | kA | 15 | 15 | 15 | |
| Rated maximum current | g _L -g _G | A | 200 | 250 | 315 | |
| Rated breaking capacity | 400V; cos φ=0,45 | A | 1450 | 2000 | 2240 | |
| Rated short-time withstand current (1 sec) | | A | 4400 | 4400 | 4400 | |
| Mechanical durability (according to the standards, for other values please consult) | | | 8000 | 8000 | 8000 | |
| Rigid copper conductor | | mm ² | 95 | 120 | 185 | |
| Flexible copper conductor | | mm ² | 95 | 120 | 185 | |

Normal service conditions:

Ambient air temperature (°C): -5°...+40°. Maximum altitude: 2.000 m. Maximum humidity: 90%. Pollution degree: 3 (standard for industrial applications). Rated frequency at AC utilization categories: 50/60 Hz.

Rated duties at utilization categories AC21A, AC22A and AC23A: Continuing (8 hours); uninterrupted.

Series | Amp
CITC0200
CITC0250
CITC0315



Diagram

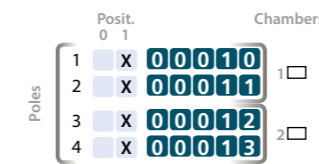
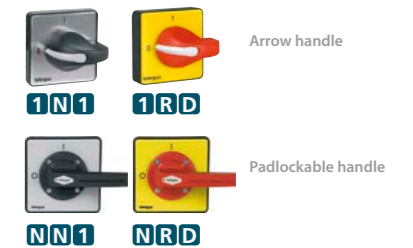
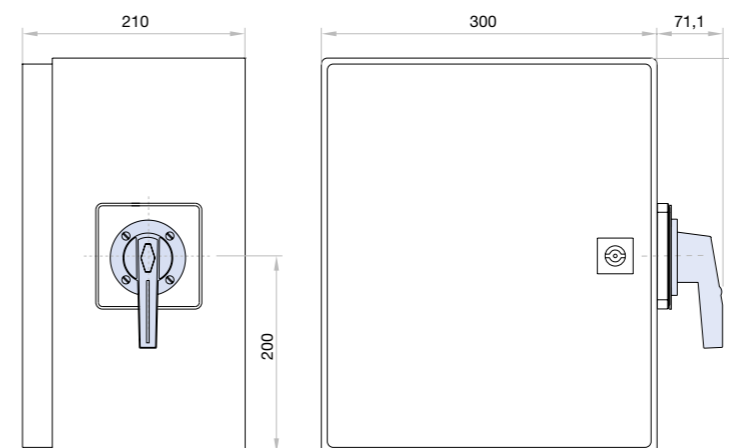
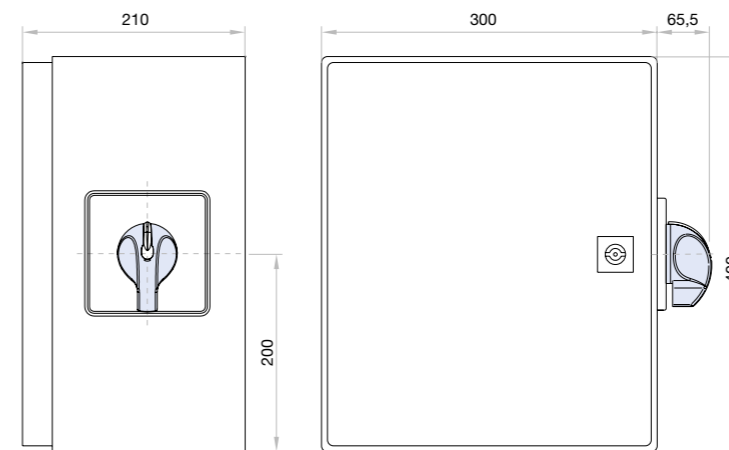


Plate and handle



Dimensions (mm)



(in & out by cable gland - not included)