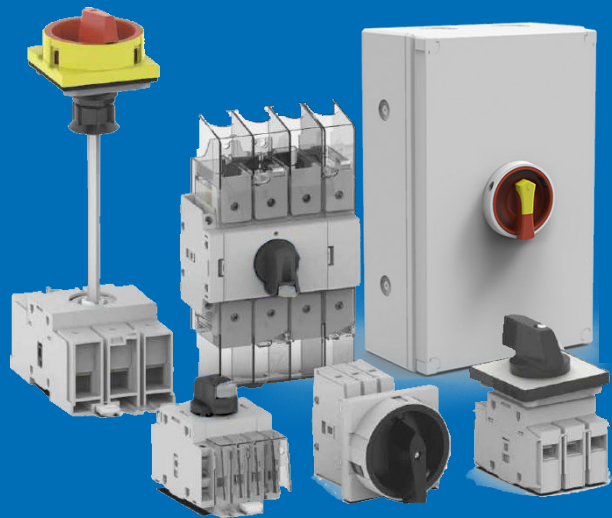
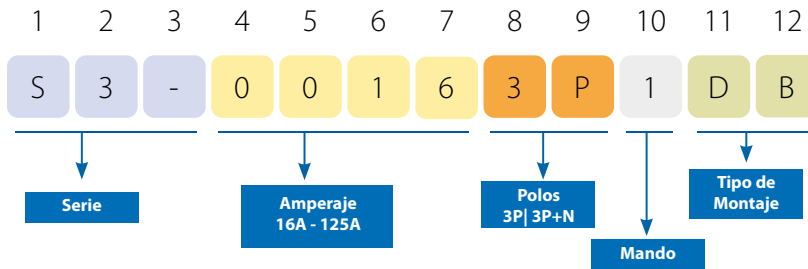


telergon
gorlan



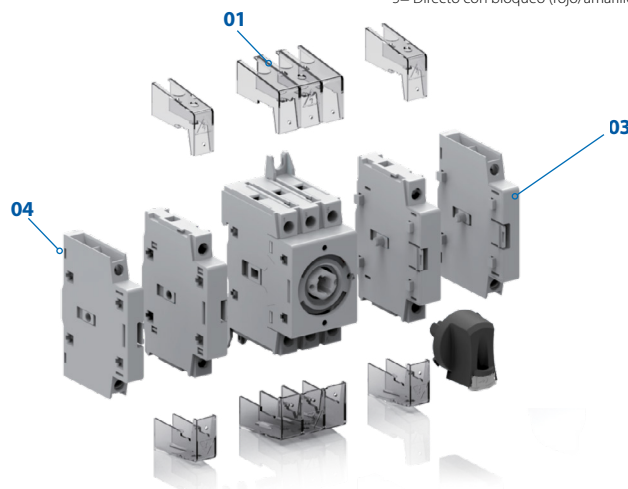
Serie S3
Interruptores AC

► **CÓDIGO**

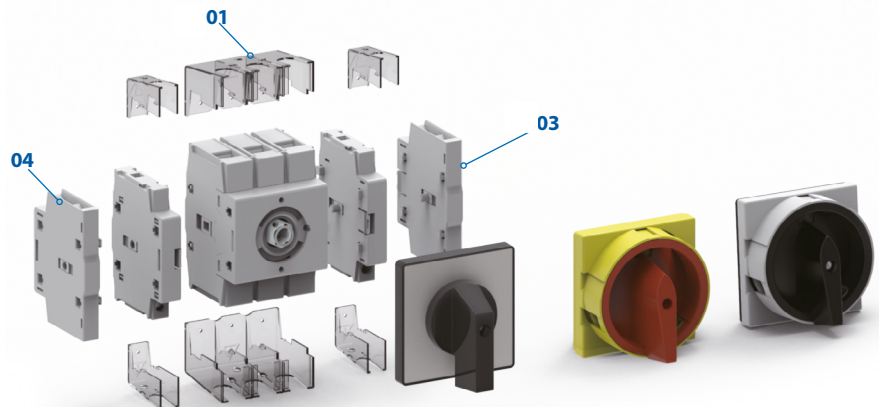


- Mando
- 1= Directo con bloqueo (negro)
 - 2= Mando panel sin bloqueo (negro)
 - 3= Mando panel con bloqueo (negro)
 - 4= Mando panel con bloqueo emergencia (rojo/amarillo)
 - 5= Directo con bloqueo (rojo/amarillo)

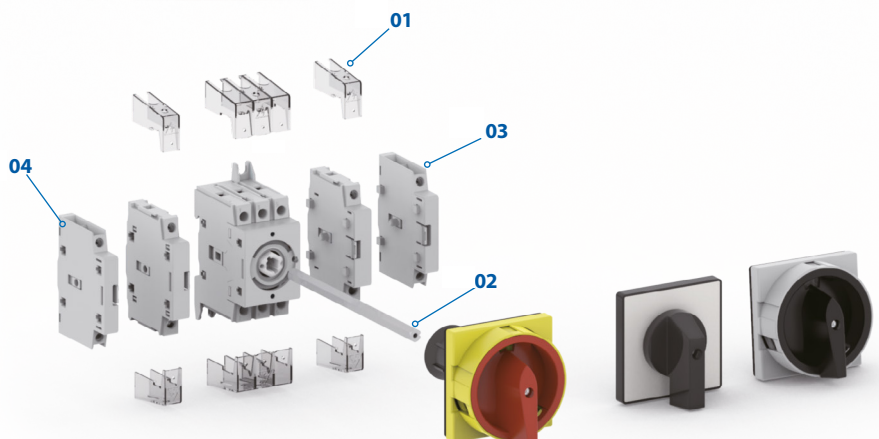
Carril Din



Tras Cuadro



Fondo Armario



Plástico (EP)

E P



Aluminio (EA)

E A



► DATOS TÉCNICOS

IEC 60947-3

| | | | Calibre | | | | | | | | |
|---|---------------------------|-----------------|---------|----|----|--------|------|----|-------|-----|-----|
| | | | 000 | | | 00 | | | 0 | | |
| Características eléctricas | | | | | | | | | | | |
| Intensidad térmica (-25...+55°C) | I _{th} | A | 16 | 20 | 25 | 32 | 40 | 63 | 80 | 100 | 125 |
| Tensión de aislamiento | U _i | Vac | 800 | | | | | | | | |
| Tensión de impulso | U _{imp} | kV | 8 | | | | | | | | |
| Intensidad de empleo en AC | U _e 415V AC23A | A | 16 | 20 | 25 | 32 | 40 | 63 | 80 | 100 | 125 |
| Potencia de empleo AC | U _e 415V AC23A | kV | 7.5 | 9 | 11 | 15 | 18.5 | 30 | 37 | 45 | 55 |
| COMPORTAMIENTO ANTE CORTO-CIRCUITOS (PROTEGIDO) | | | | | | | | | | | |
| Tipo de fusible | 415V | A | 16 | 20 | 25 | 32 | 40 | 63 | 80 | 100 | 125 |
| Intensidad de cortocircuito condicional | 415V | kA | 10 | | | 15 | | | 20 | | |
| COMPORTAMIENTO ANTE CORTO-CIRCUITOS (DESPROTEGIDO) | | | | | | | | | | | |
| Poder asignado de cierre en cortocircuito | I _{cw} | kA (rms) | 1.0 | | | 1.5 | | | 2.5 | | |
| Corriente asignada de corta duración admisible (1s) | I _{cm} | kA (pico) | 0.8 | | | 1.4 | | | 2.1 | | |
| CAPACIDAD DE CONEXIÓN | | | | | | | | | | | |
| Sección de cable | | mm ² | 1.5~10 | | | 2.5~35 | | | 10~70 | | |
| DATOS MECÁNICOS | | | | | | | | | | | |
| Número de maniobras | Ciclos | | 100.000 | | | | | | | | |

Interrupores Seccionadores AC

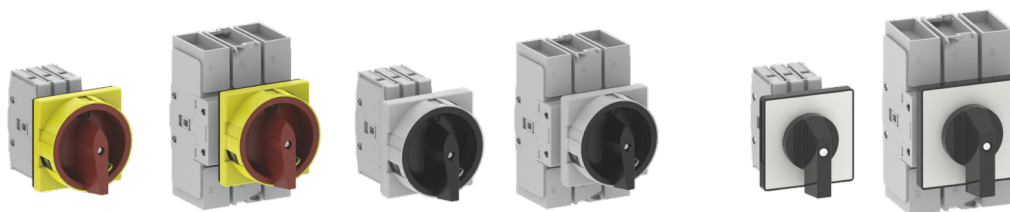
► CARRIL DIN (DB)



| Calibre | Amp | Ancho ∅ (mm) | con bloqueo | | con bloqueo | |
|-------------------|-----|-----------------|--------------|--------------------|--------------|--------------------|
| | | | 3P | 3P+N ^{*2} | 3P | 3P+N ^{*2} |
| | | | Código | Código | Código | Código |
| 000 ^{*1} | 16 | 35.5 | S3-00163P1DB | S3-00163N1DB | S3-00163P5DB | S3-00163N5DB |
| | 20 | 35.5 | S3-00203P1DB | S3-00203N1DB | S3-00203P5DB | S3-00203N5DB |
| | 25 | 35.5 | S3-00253P1DB | S3-00253N1DB | S3-00253P5DB | S3-00253N5DB |
| | 32 | 35.5 | S3-00323P1DB | S3-00323N1DB | S3-00323P5DB | S3-00323N5DB |
| 00 | 40 | 35.5 | S3-00403P1DB | S3-00403N1DB | S3-00403P5DB | S3-00403N5DB |
| | 63 | 52.5 | S3-00633P1DB | S3-00633N1DB | S3-00633P5DB | S3-00633N5DB |
| 0 | 80 | 52.5 | S3-00803P1DB | S3-00803N1DB | S3-00803P5DB | S3-00803N5DB |
| | 100 | 69.1 | S3-01003P1DB | S3-01003N1DB | S3-01003P5DB | S3-01003N5DB |
| | 125 | 69.1 | S3-01253P1DB | S3-01253N1DB | S3-01253P5DB | S3-01253N5DB |

*1 UL en progreso

► TRAS CUADRO (PM)



| Calibre | Amp | Placa ∅ (mm) | con bloqueo (rojo/amarillo) | | con bloqueo (negro) | | sin bloqueo (negro) | |
|---------|-----|-----------------|-----------------------------|--------------------|---------------------|--------------------|---------------------|--------------------|
| | | | 3P | 3P+N ^{*2} | 3P | 3P+N ^{*2} | 3P | 3P+N ^{*2} |
| | | | Código | Código | Código | Código | Código | Código |
| 000 | 16 | 35.5 | S3-00163P4PM | S3-00163N4PM | S3-00163P3PM | S3-00163N3PM | S3-00163P2PM | S3-00163N2PM |
| | 20 | 35.5 | S3-00203P4PM | S3-00203N4PM | S3-00203P3PM | S3-00203N3PM | S3-00203P2PM | S3-00203N2PM |
| | 25 | 35.5 | S3-00253P4PM | S3-00253N4PM | S3-00253P3PM | S3-00253N3PM | S3-00253P2PM | S3-00253N2PM |
| | 32 | 35.5 | S3-00323P4PM | S3-00323N4PM | S3-00323P3PM | S3-00323N3PM | S3-00323P2PM | S3-00323N2PM |
| 00 | 40 | 35.5 | S3-00403P4PM | S3-00403N4PM | S3-00403P3PM | S3-00403N3PM | S3-00403P2PM | S3-00403N2PM |
| | 63 | 52.5 | S3-00633P4PM | S3-00633N4PM | S3-00633P3PM | S3-00633N3PM | S3-00633P2PM | S3-00633N2PM |
| 0 | 80 | 52.5 | S3-00803P4PM | S3-00803N4PM | S3-00803P3PM | S3-00803N3PM | S3-00803P2PM | S3-00803N2PM |
| | 100 | 69.1 | S3-01003P4PM | S3-01003N4PM | S3-01003P3PM | S3-01003N3PM | S3-01003P2PM | S3-01003N2PM |
| | 125 | 69.1 | S3-01253P4PM | S3-01253N4PM | S3-01253P3PM | S3-01253N3PM | S3-01253P2PM | S3-01253N2PM |

*2 Polo neutro avanzado en el cierre y retrasado en la apertura

▶ FONDO ARMARIO (DC)



| Calibre | Amp | Placa ∅ (mm) |  con bloqueo (rojo/amarillo) | |  con bloqueo (negro) | |  sin bloqueo (negro) | |
|---------|-----|-----------------|--|--------------|--|--------------|--|--------------|
| | | | 3P | 3P+N*2 | 3P | 3P+N*2 | 3P | 3P+N*2 |
| | | | Código | Código | Código | Código | Código | Código |
| 000 | 16 | 35.5 | S3-00163P4DC | S3-00163N4DC | S3-00163P3DC | S3-00163N3DC | S3-00163P2DC | S3-00163N2DC |
| | 20 | 35.5 | S3-00203P4DC | S3-00203N4DC | S3-00203P3DC | S3-00203N3DC | S3-00203P2DC | S3-00203N2DC |
| | 25 | 35.5 | S3-00253P4DC | S3-00253N4DC | S3-00253P3DC | S3-00253N3DC | S3-00253P2DC | S3-00253N2DC |
| | 32 | 35.5 | S3-00323P4DC | S3-00323N4DC | S3-00323P3DC | S3-00323N3DC | S3-00323P2DC | S3-00323N2DC |
| 00 | 40 | 35.5 | S3-00403P4DC | S3-00403N4DC | S3-00403P3DC | S3-00403N3DC | S3-00403P2DC | S3-00403N2DC |
| | 63 | 52.5 | S3-00633P4DC | S3-00633N4DC | S3-00633P3DC | S3-00633N3DC | S3-00633P2DC | S3-00633N2DC |
| 0 | 80 | 52.5 | S3-00803P4DC | S3-00803N4DC | S3-00803P3DC | S3-00803N3DC | S3-00803P2DC | S3-00803N2DC |
| | 100 | 69.1 | S3-01003P4DC | S3-01003N4DC | S3-01003P3DC | S3-01003N3DC | S3-01003P2DC | S3-01003N2DC |
| | 125 | 69.1 | S3-01253P4DC | S3-01253N4DC | S3-01253P3DC | S3-01253N3DC | S3-01253P2DC | S3-01253N2DC |

▶ MULTIPOLAR Y CONMUTADORES



| Calibre | Amp | Placa ∅ (mm) | Carril Din Interruptor Multipolar | | Carril Din Conmutador (I-O-II) | | Carril Din Conmutador By-pass (I-I-II-II) | |
|---------|-----|-----------------|--------------------------------------|--------------|-----------------------------------|--------------|--|--------------|
| | | | 6P | 8P | 3P | 3P+N*2 | 3P | 3P+N*2 |
| | | | Código | Código | Código | Código | Código | Código |
| 00 | 63 | 105 | S3M00636P1DB | S3M00638P1DB | S3L00633P1DB | S3L00633N1DB | S3S00633P1DB | S3S00633N1DB |
| | 80 | 105 | S3M00806P1DB | S3M00808P1DB | S3L00803P1DB | S3L00803N1DB | S3S00803P1DB | S3S00803N1DB |

Soluciones en caja

▶ PLÁSTICO (EP)



| Calibre | Amp | Mando de Emergencia | | Mando Negro | |
|---------|-----|---------------------|--------------|--------------|--------------|
| | | 3P | 3P+N*2 | 3P | 3P+N*2 |
| | | Código | Código | Código | Código |
| 000 | 16 | S3-00163P4EP | S3-00163N4EP | S3-00163P3EP | S3-00163N3EP |
| | 20 | S3-00203P4EP | S3-00203N4EP | S3-00203P3EP | S3-00203N3EP |
| | 25 | S3-00253P4EP | S3-00253N4EP | S3-00253P3EP | S3-00253N3EP |
| | 32 | S3-00323P4EP | S3-00323N4EP | S3-00323P3EP | S3-00323N3EP |
| | 40 | S3-00403P4EP | S3-00403N4EP | S3-00403P3EP | S3-00403N3EP |
| 00 | 63 | S3-00633P4EP | S3-00633N4EP | S3-00633P3EP | S3-00633N3EP |
| | 80 | S3-00803P4EP | S3-00803N4EP | S3-00803P3EP | S3-00803N3EP |
| 0 | 100 | S3-01003P4EP | S3-01003N4EP | S3-01003P3EP | S3-01003N3EP |
| | 125 | S3-01253P4EP | S3-01253N4EP | S3-01253P3EP | S3-01253N3EP |

▶ ALUMINIO (EA)



| Calibre | Amp | Mando de Emergencia | | Mando Negro | |
|---------|-----|---------------------|--------------|--------------|--------------|
| | | 3P | 3P+N*2 | 3P | 3P+N*2 |
| | | Código | Código | Código | Código |
| 000 | 16 | S3-00163P4EA | S3-00163N4EA | S3-00163P3EA | S3-00163N3EA |
| | 20 | S3-00203P4EA | S3-00203N4EA | S3-00203P3EA | S3-00203N3EA |
| | 25 | S3-00253P4EA | S3-00253N4EA | S3-00253P3EA | S3-00253N3EA |
| | 32 | S3-00323P4EA | S3-00323N4EA | S3-00323P3EA | S3-00323N3EA |
| | 40 | S3-00403P4EA | S3-00403N4EA | S3-00403P3EA | S3-00403N3EA |
| 00 | 63 | S3-00633P4EA | S3-00633N4EA | S3-00633P3EA | S3-00633N3EA |
| | 80 | S3-00803P4EA | S3-00803N4EA | S3-00803P3EA | S3-00803N3EA |

01 Cubrebornes



| Calibre | Amp. | 1P | | 3P | |
|---------|-----------|----------------|--------|----------------|--------|
| | | Código | Código | Código | Código |
| 000 | 16A-40A | DS3CUA2 | | DS3CUA1 | |
| 00 | 63A-80A | DS3CUB2 | | DS3CUB1 | |
| 0 | 100A-125A | DS3CU02 | | DS3CU01 | |

02 Eje prolongado



| Largo (mm) | Código |
|------------|----------------|
| 150 | DS3EPA1 |
| 200 | DS3EPA2 |
| 320 | DS3EPA3 |

03 Polo adicional



| Calibre | Amp | Ancho (mm) | Simultáneo | | Adelantado | |
|---------|-----------|------------|---------------------|-----------------------|---------------------|-----------------------|
| | | | Instalación frontal | Instalación posterior | Instalación frontal | Instalación posterior |
| | | | DB/DC/EP/EA | PM | DB/DC/EP/EA | PM |
| 000 | 16A-40A | 11 | DS3PSAF | DS3PSAR | DS3PDAF | DS3PДАР |
| 00 | 63A-80A | 16 | DS3PSBF | DS3PSBR | DS3PDBF | DS3PDBR |
| 0 | 100A-125A | 21.3 | DS3PSOF | DS3PSOR | DS3PD0F | DS3PD0R |



| Calibre | Amp | Ancho (mm) | Neutro fijo | | Puesta a tierra | |
|---------|-----------|------------|---------------------|-----------------------|---------------------|-----------------------|
| | | | Instalación frontal | Instalación posterior | Instalación frontal | Instalación posterior |
| | | | DB/DC/EP/EA | PM | DB/DC/EP/EA | PM |
| 000 | 16A-40A | 11 | DS3PNAF | DS3PNAR | DS3PEAF | DS3PEAR |
| 00 | 63A-80A | 16 | DS3PNBF | DS3PNBR | DS3PEBF | DS3PEBR |
| 0 | 100A-125A | 21.3 | DS3PN0F | DS3PN0R | DS3PE0F | DS3PE0R |

04 Contacto auxiliar



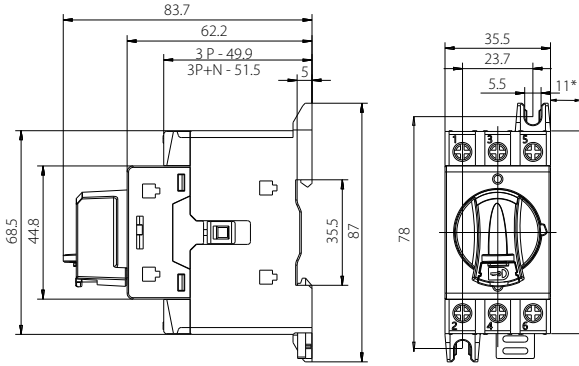
| Ancho (mm) | 1NO+1NC | | 2NO | |
|------------|----------------|-----------------|----------------|-----------------|
| | DB/DC/EP/EA | PM | DB/DC/EP/EA | PM |
| | Código | Código | Código | Código |
| 9 | DS3AUP1 | DS3AUP1R | DS3AUP2 | DS3AUP2R |

Características eléctricas AC-13: 10A, 230V~ AC-15: 6A, 230V~.

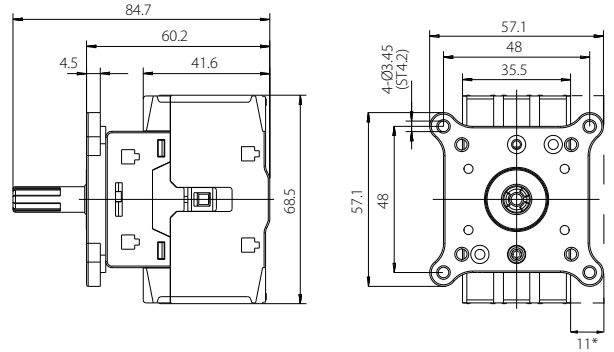
Dimensiones

► CARRIL DIN (DB)

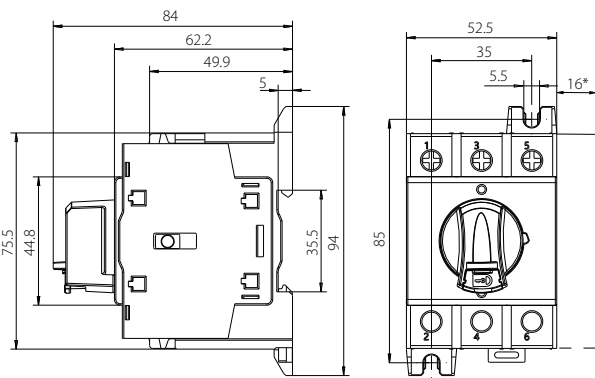
► TRAS CUADRO (PM)



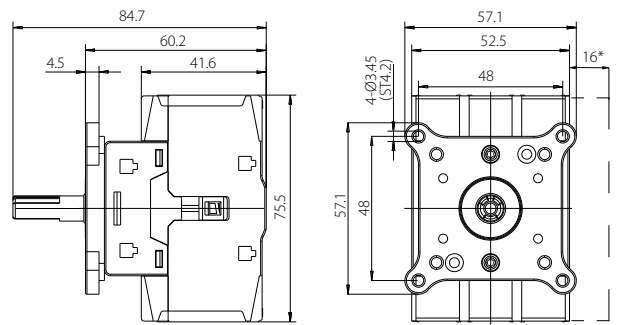
S3/000 3P y *3P+N



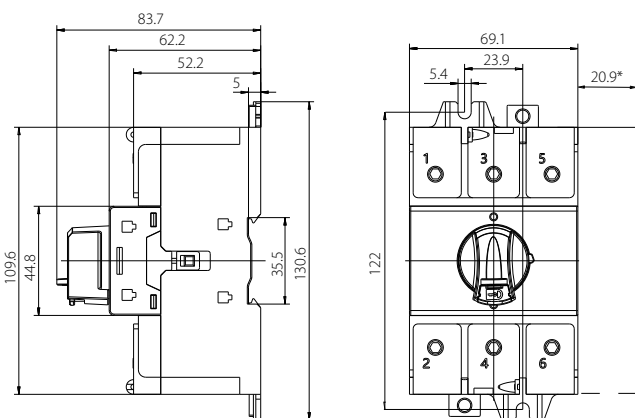
S3/000 3P y *3P+N



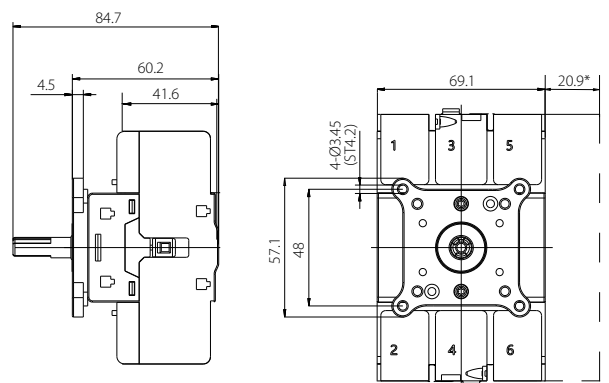
S3/00 3P y *3P+N



S3/00 3P y *3P+N

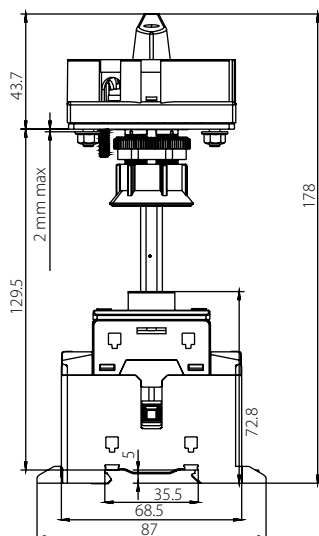
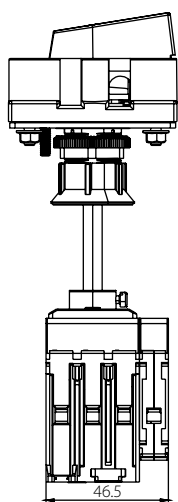


S3/0 3P y *3P+N

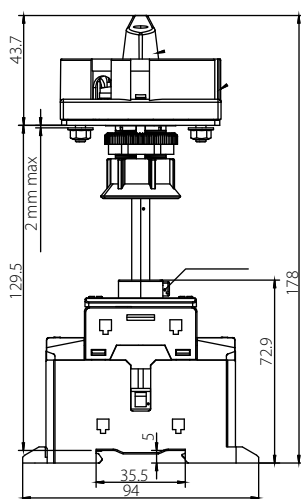
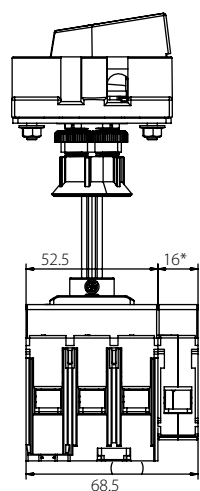
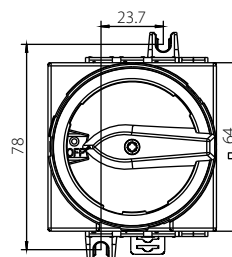


S3/0 3P y *3P+N

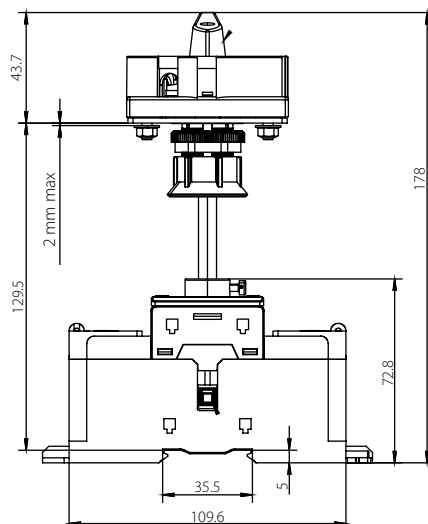
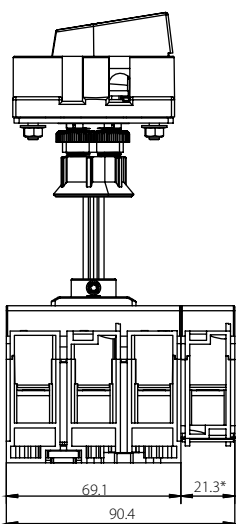
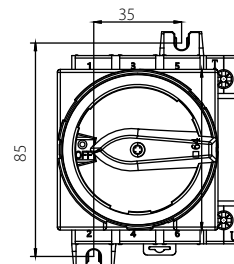
► FONDO ARMARIO (DC)



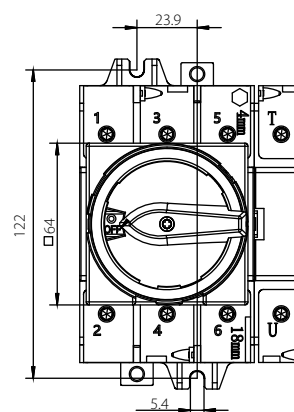
S3/O 3P y *3P+N



S3/O 3P y *3P+N

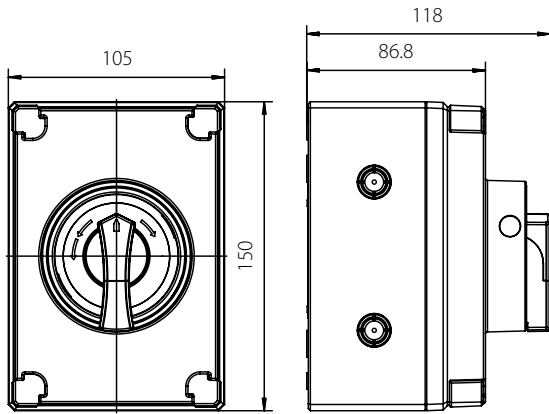


S3/O 3P y *3P+N

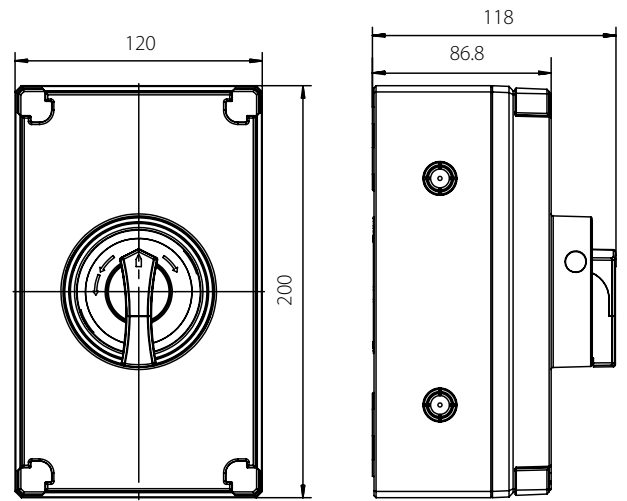


Dimensiones

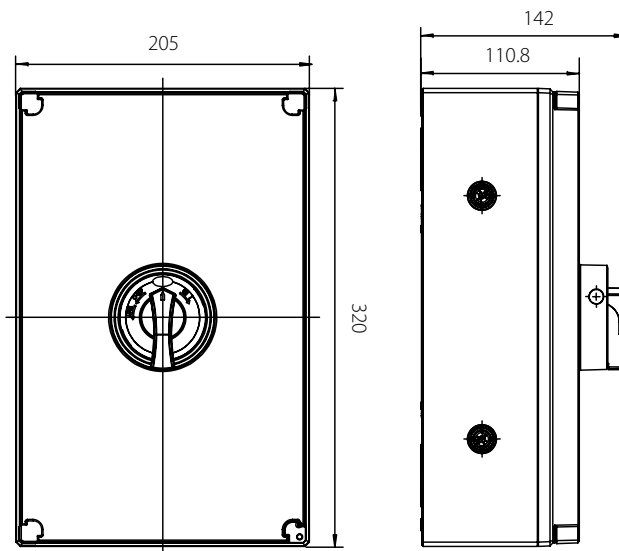
► SOLUCIONES EN CAJA



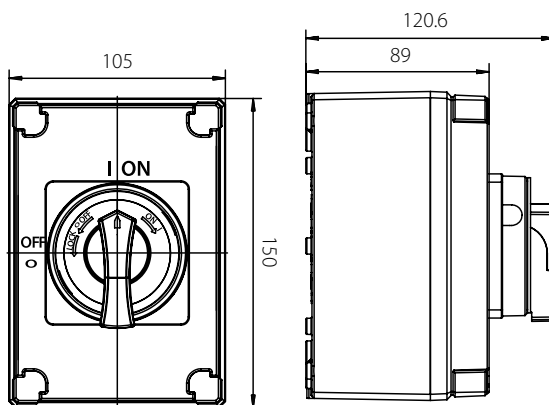
PLÁSTICO S3/000



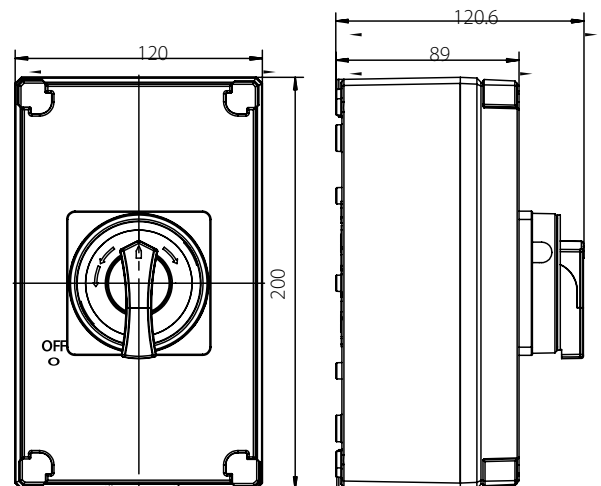
PLÁSTICO S3/00



PLÁSTICO S3/0

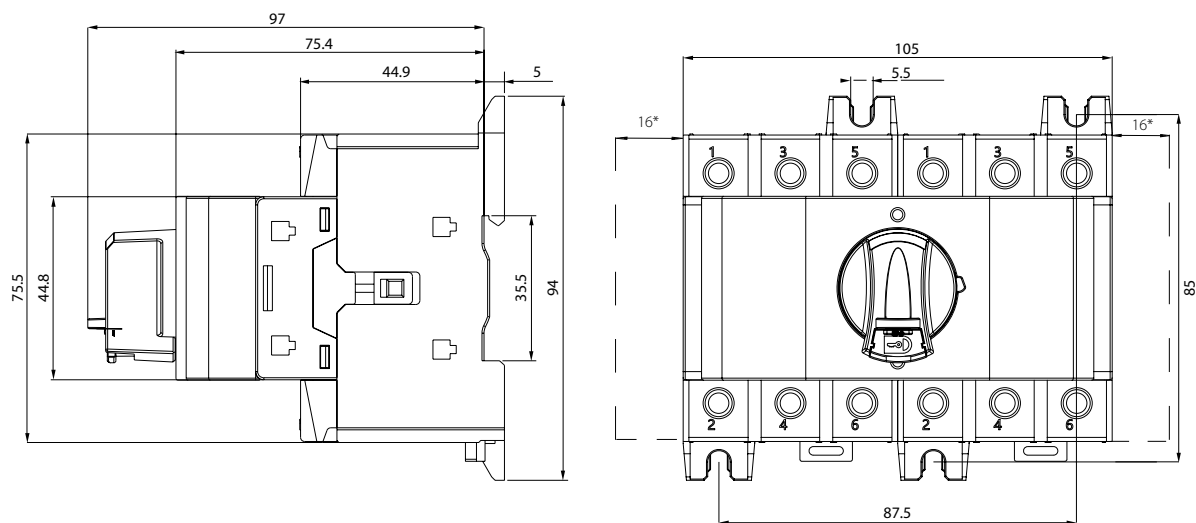


ALUMINIO S3/000



ALUMINIO S3/00

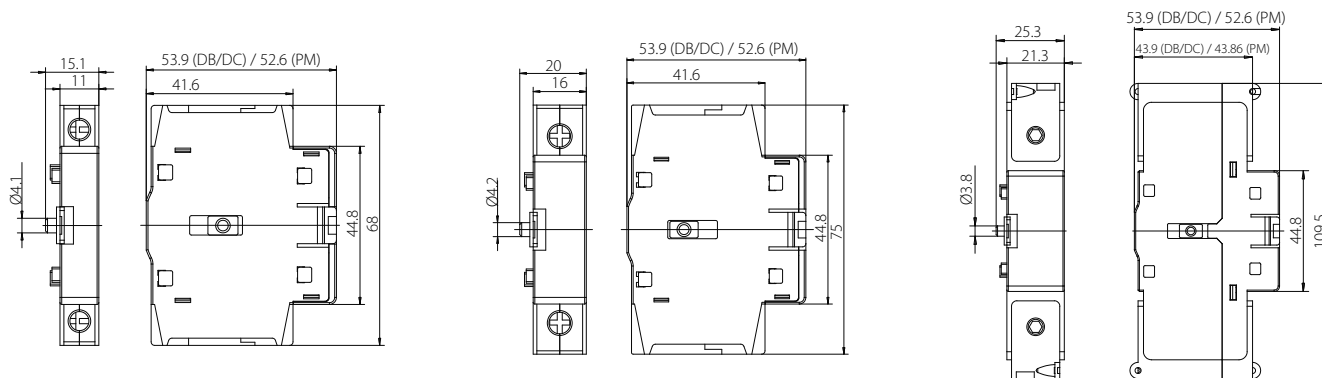
MULTIPOLAR Y CONMUTADOR



S3M / S3S / S3L CALIBRE 00

POLO ADICIONAL

MONTAJE DB / DC & PM

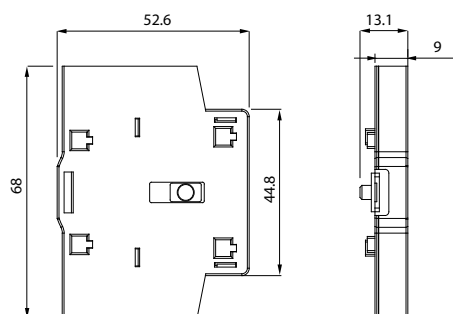


S3/000

S3/00

S3/0

CONTACTO AUXILIAR





Telergon, SAU
Ctra. Castellón - Pol. La Cartuja
50720 La Cartuja Baja
Zaragoza, Spain



Tel. +34 976 500 876
info@telergon.com
www.telergon.com