

telergon
gorlan



ATS Automatic Transfer Switch



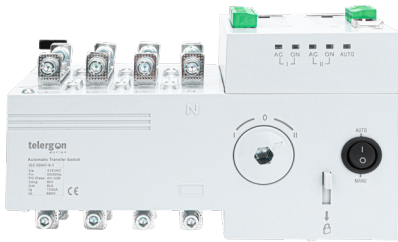
www.telergon.com



gorlan

Automatic Transfer Switch

An automatic transfer switch (ATS) is a self-acting device that automatically transfers a power supply from its primary source to a backup source during a power failure or outage. It monitors the power supply and detects outages or fluctuations, switching to the backup system without manual intervention. The main objective of this solution is to ensure the continuous power for critical systems.



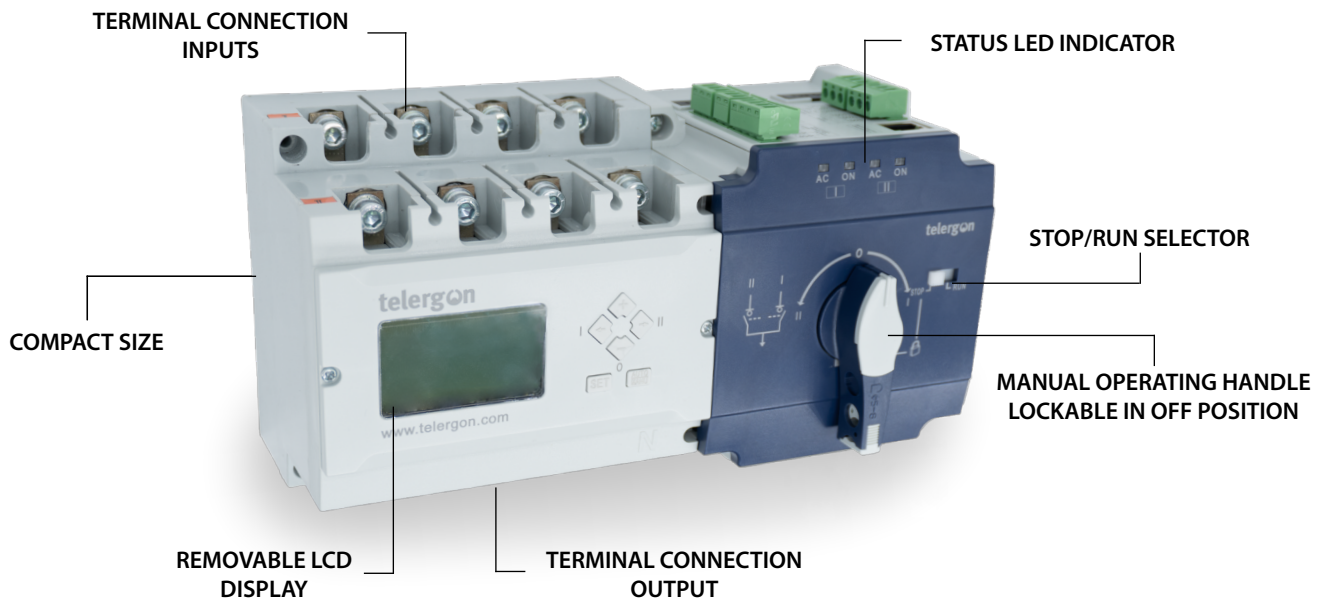
C1 SERIES


63A – 630A



C2 SERIES

63A – 630A



-  Maintenance free
-  Easy installation and operation
-  High short-circuit withstand capacity
-  Quick-make and quick-break operation
-  High electrical and mechanical reliability

Choose your configuration

Remote operation

- AC-32B
- Easy installation
- Remote control
- Plug & Play



C1-G Series

Automatic transfer

- 3 phase monitor
- Fire-fighting protection
- Generator control
- Auto recovery



C1-C Series

Automatic & programmable

- AC- 33B
- LCD display included
- RS485 for remote communication
- Bidirectional transmission



C2 Series

FUNCTIONS	63A - 630A		
	C1-G	C1-C	C2
External 230Vac supply for sources I and II	x		
LED indicator: Source I and II availability, ATS position I or II	x	x	x
Remote control via potential free contacts	x		
Potential free auxiliary contact 1NO for source I and II	x		
Single phase monitoring (phase loss)		x	x
Auto transfer / auto recovery		x	x
Fire-linkage (passive)		x	x
Generator Start/Stop		x	x
Three phase monitoring (voltage protection + frequency protection)		x	x
Source Priority setting		x	x
DC24V aux power input		x	x
LCD display		OPTION	x
RS-485			x
AC-32B	x	x	
AC-33B			x

► C1 SERIES | 3P & 3P+N | 63A-630A



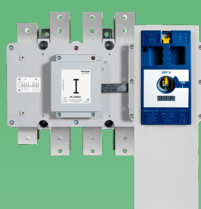
Size	Amp	Connection	Type G		Type C		Display
			3P	3P+N	3P	3P+N	Code
00	63		C1-00633PSMGB	C1-00633NSMGB	C1-00633PSMCB	C1-00633NSMCB	DC1DP01*1
	80		C1-00803PSMGB	C1-00803NSMGB	C1-00803PSMCB	C1-00803NSMCB	
	100		C1-01003PSMGB	C1-01003NSMGB	C1-01003PSMCB	C1-01003NSMCB	
0	125		C1-01253PSMGB	C1-01253NSMGB	C1-01253PSMCB	C1-01253NSMCB	
	160		C1-01603PSMGB	C1-01603NSMGB	C1-01603PSMCB	C1-01603NSMCB	
1	250		C1-02503PSMGB	C1-02503NSMGB	C1-02503PSMCB	C1-02503NSMCB	
2	400		C1-04003PSMGB	C1-04003NSMGB	C1-04003PSMCB	C1-04003NSMCB	
	630		C1-06303PSMGB	C1-06303NSMGB	C1-06303PSMCB	C1-06303NSMCB	

*1 Display available only for type C.

► C2 SERIES | 3P & 3P+N | 63A-630A



Size	Amp	Connection	3P	3P+N	Shrouds	Display
			Code	Code	Code	Code
00	63		C2-00633PBDDT	C2-00633NBDDT	-	DC1DP01
	80		C2-00803PBDDT	C2-00803NBDDT	-	
0	100		C2-01003PTDDT	C2-01003NTDDT	DC2CU01	
	125		C2-01253PTDDT	C2-01253NTDDT		
1	160		C2-01603PTDDT	C2-01603NTDDT	DC2CU11	
	250		C2-02503PTDDT	C2-02503NTDDT		
2	400		C2-04003PTDDT	C2-04003NTDDT	DC2CU21	
	630		C2-06303PTDDT	C2-06303NTDDT		



S5F Series

Other motorized solutions

125A-3150A
3P & 3P+N
120Vac & 230Vac
Modbus available



CCF Series

TECHNICAL DATA



According to IEC 60947-6-1

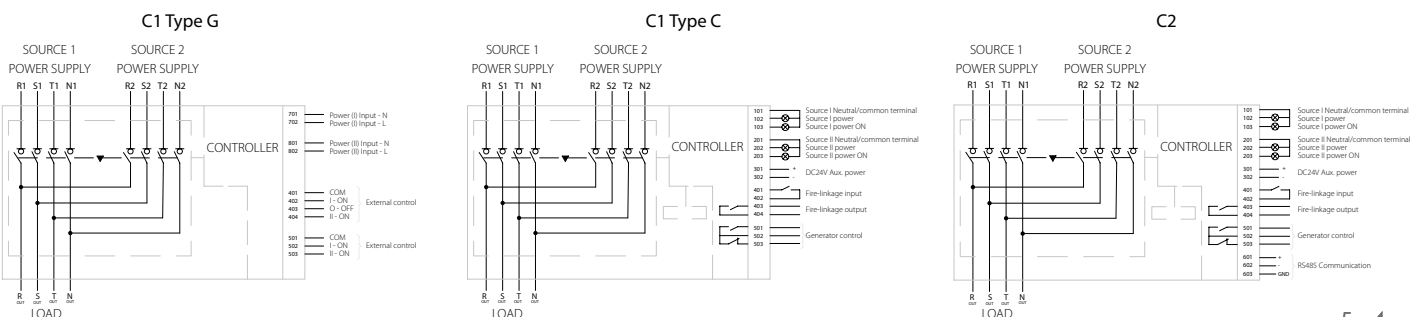
C1 SERIES		00			0		1	2	
		63	80	100	125	160	250	400	630
Thermal current (Ith)	A	63	80	100	125	160	250	400	630
Rated insulation voltage (Ui)	V	690							
Rated impulse withstand voltage (Uimp)	kV	8							
Rated operational current (Ie)									
AC-31B 415V	A	63	80	100	125	160	250	400	630
AC-32B 415V									
Rated short-circuit making capacity (peak value) (Icm)	kA	8			17		17	26	
Rated conditional short-circuit current (Icc)	kA	120							
Rated control voltage	Vac	230V / 50Hz							
Operating transfer time	s	1,7			2,3		3,1	2,1	
Contact transfer time	s	0,7			1		1,2	0,8	
TSE Class		PC class AC-32B							
Operation cycles	cycles	6.000			6.000		6.000	4.000	3.000
Maximum weight	kg	3,8			8,5		11,5	22,6	
Tightening torque	Size	M6			M8		M10	M12	
	Nm	3			6		10	14	
Connection capacity, Cu cable.	mm ²	50			70		120	240	2x240

According to IEC 60947-6-1

C2 SERIES		00		0		1		2	
		63	80	100	125	160	250	400	630
Thermal current (Ith)	A	63	80	100	125	160	250	400	630
Rated insulation voltage (Ui)	V	690							
Rated impulse withstand voltage (Uimp)	kV	8							
Rated operational current (Ie)									
AC-31B 415V	A	63	80	100	125	160	250	400	630
AC-32B 415V									
AC-33B 415V									
Rated short-circuit making capacity (peak value) (Icm)	kA	15		20		30		50	
Rated short-time withstand current 0,2s (Icw)	kA	10*1		10		10		25	
Rated conditional short-circuit current (Icc)	kA	120							
Rated control voltage	Vac	230V / 50Hz							
Operating transfer time	s	1,2		1,25		2,1		3,3	
Contact transfer time	s	0,6		0,6		1		1,5	
ATSE Class		PC Class AC-33B							
Operation cycles	cycles	6.000		6.000		6.000		4.000	3.000
Maximum weight	kg	2,5		4,3		9		22,5	
Tightening torque	Size	M5	M5	M6	M6	M8	M8	M10	M10
	Nm	2	2	3	3	6	6	10	10
Connection capacity, Cu cable.	mm ²	25	25	50	50	120	120	240	2x185
Connection capacity, Cu Bar	mm ²	-	-	4x20	4x20	5x25	5x25	10x40	10x40

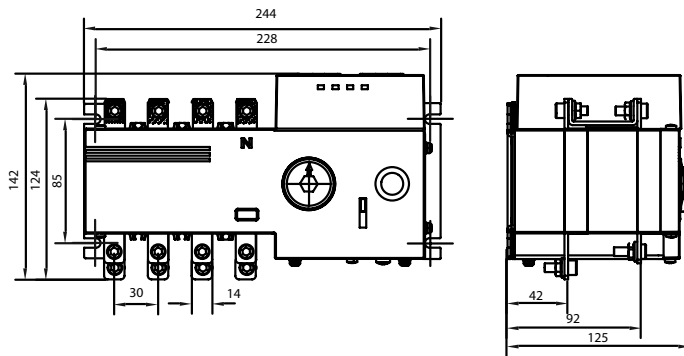
*1 30ms

CONNECTION DIAGRAM

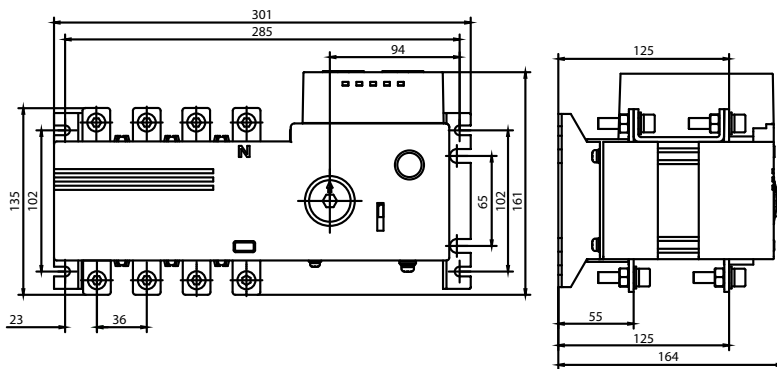


► C1 SERIES | DIMENSIONS

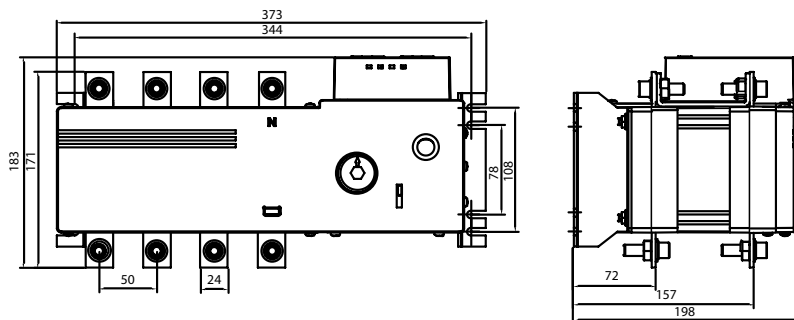
Size 00 (63A-80A-100A)



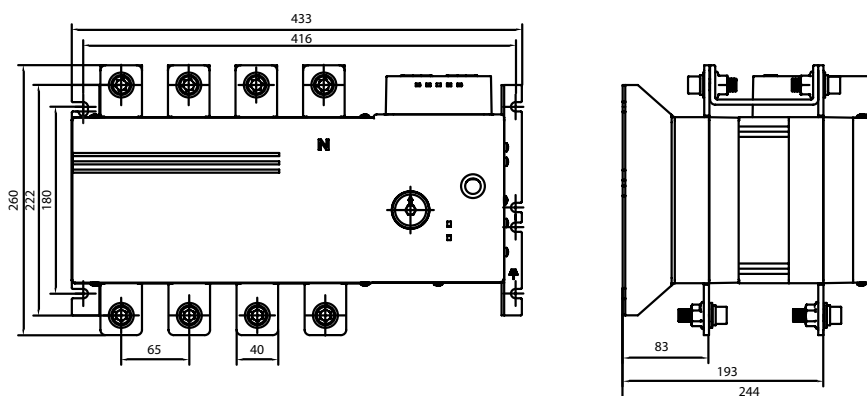
Size 0 (125A-160A)



Size 1 (250A)

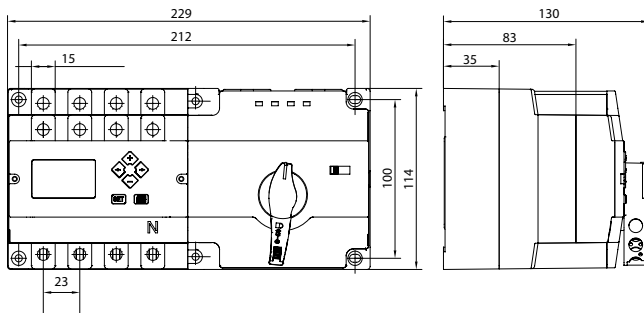


Size 2 (400A-630A)

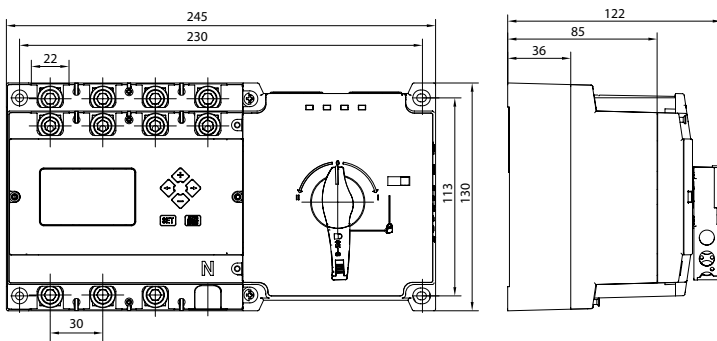


► C2 SERIES | DIMENSIONS

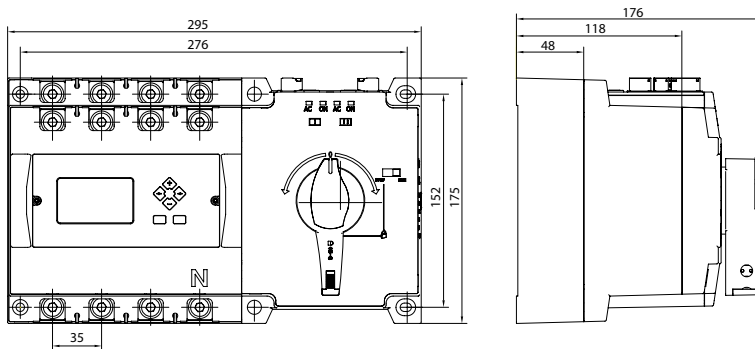
Size 00 (63A-80A)



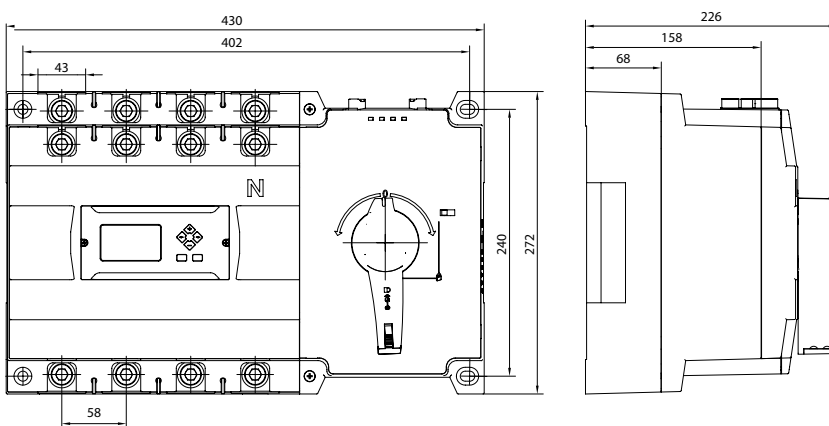
Size 0 (100A-125A)



Size 1 (160A-250A)



Size 2 (400A-630 A)





Telergon, SAU
Ctra. Castellón - Pol. La Cartuja
50720 La Cartuja Baja
Zaragoza, Spain



Tel. +34 976 500 876
info@telergon.com
www.telergon.com