



ATS

Automatic Transfer Switch



Automatic Transfer Switch

An automatic transfer switch (ATS) is a self-acting device that automatically transfers a power supply from its primary source to a backup source during a power failure or outage. It monitors the power supply and detects outages or fluctuations, switching to the backup system without manual intervention. The main objective of this solution is to ensure the continuous power for critical systems.



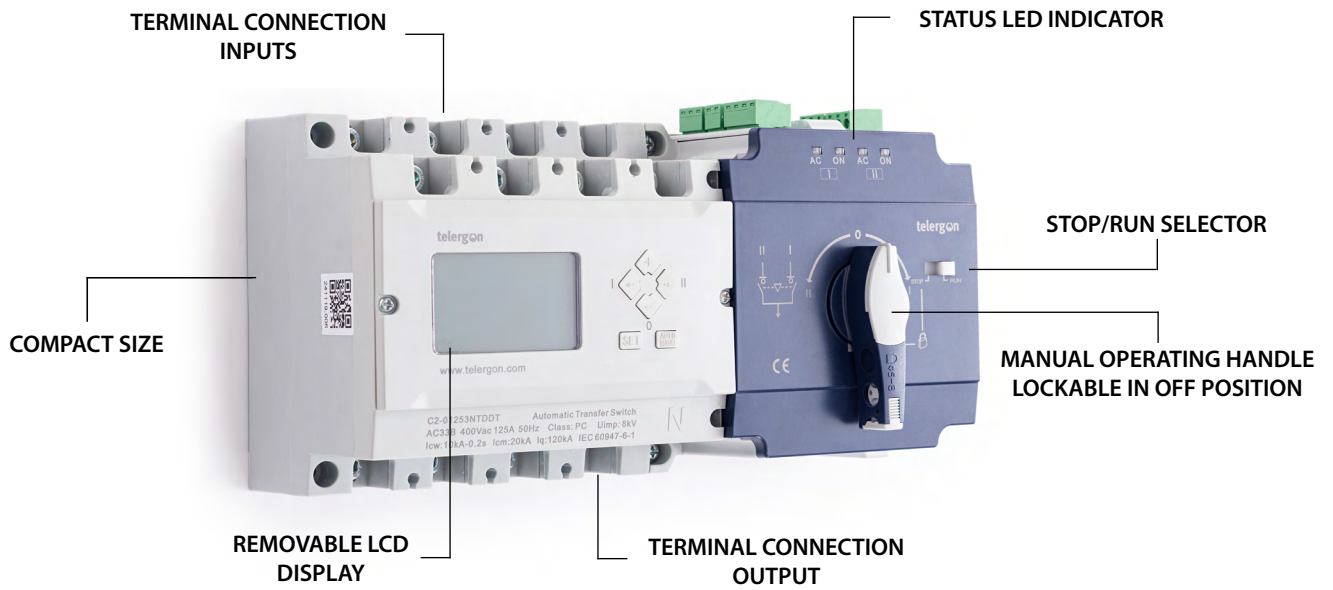
C1 SERIES



63A - 630A



C2 SERIES

63A - 630A



-  Maintenance free
-  Easy installation and operation
-  High short-circuit withstand capacity
-  Quick-make and quick-break operation
-  High electrical and mechanical reliability

Choose your configuration

Remote operation

- AC-32B
- Easy installation
- Remote control
- Plug & Play



C1-G Series

Automatic transfer

- 3 phase monitor
- Fire-fighting protection
- Generator control
- Auto recovery



C1-C Series

Automatic & programmable

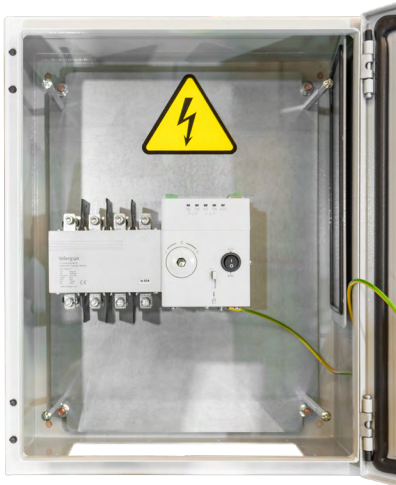
- AC- 33B
- LCD display included
- RS485 for remote communication
- Bidirectional transmission



C2 Series

FUNCTIONS	63A - 630A		
	C1-G	C1-C	C2
External 230Vac supply for sources I and II	x		
LED indicator: Source I and II availability, ATS position I or II	x	x	x
Remote control via potential free contacts	x		
Potential free auxiliary contact 1NO for source I and II	x		
Single phase monitoring (phase loss)		x	x
Auto transfer / auto recovery		x	x
Fire-linkage (passive)		x	x
Generator Start/Stop		x	x
Three phase monitoring (voltage protection + frequency protection)		x	x
Source Priority setting		x	x
DC24V aux power input		x	x
LCD display		OPTION	x
RS-485			x
Engine exerciser			x
AC-32B	x	x	
AC-33B			x

Enclosed Transfer Switches



CTRL1 SERIES

63A – 630A

- C1 type C, from 63A to 630A.
- Suitable for environments subject to mechanical risks and dust hazards.
- Protection degree: IP66.
- Colour: RAL 7035.
- Closing plate: Bottom.
- Connection: top (input terminals) and bottom (output terminals)
- Protection: Polycarbonate protection cover.
- Material: 2 mm thick steel.
- Coating: Epoxy resin.
- Mounting: Wall.



CTRL2 SERIES

63A – 630A

- C2 type D, from 63A to 630A.
- Suitable for environments subject to mechanical risks and dust hazards.
- Protection degree: IP65.
- Colour: RAL 7035.
- Closing plate: Bottom.
- Display installed on door with protective cover.
- Connection: $\leq 250A$ top and bottom, $\geq 400A$ bottom (Connection terminals are brought to the bottom of the enclosure via copper connection plates).
- Protection: 63-80Amp flange connection
100-250Amp shrouds.
400-630Amp polycarbonate protection plate.
- Inputs, outputs and auxiliary contacts pre-wired to terminals mounted on DIN rail.
- Material: 2 mm thick steel.
- Coating: Epoxy resin.
- Mounting: Wall.

► TECHNICAL DATA

According to IEC 60947-6-1

		00				0	1	2	
C1 SERIES		63	80	100	125	160	250	400	630
Thermal current (Ith)	A	63	80	100	125	160	250	400	630
Rated insulation voltage (Ui)	V	690							
Rated impulse withstand voltage (Uimp)	kV	8							
Rated operational current (Ie)									
AC-31B 415V	A	63	80	100	125	160	250	400	630
AC-32B 415V									
Rated short-circuit making capacity (peak value) (Icm)	kA	8				17	17	26	
Rated conditional short-circuit current (Icc)	kA	120							
Rated control voltage		230V / 50Hz							
Operating transfer time	s	1,7				2,3	3,1	2,1	
Contact transfer time	s	0,7				1	1,2	0,8	
TSE Class		PC class AC-32B							
Operation cycles	cycles	6.000				6.000	6.000	4.000	3.000
Maximum weight	kg	3,8				8,5	11,5	22,6	
Tightening torque	Size	M6				M8	M10	M12	
	Nm	3				6	10	14	
Connection capacity. Cu cable.	mm ²	50				70	120	240	2x240

According to IEC 60947-6-1

		00		0		1	2		
C2 SERIES		63	80	100	125	160	250	400	630
Thermal current (Ith)	A	63	80	100	125	160	250	400	630
Rated insulation voltage (Ui)	V	690							
Rated impulse withstand voltage (Uimp)	kV	8							
Rated operational current (Ie)									
AC-31B 415V	A	63	80	100	125	160	250	400	630
AC-32B 415V									
AC-33B 415V									
Rated short-circuit making capacity (peak value) (Icm)	kA	15		20		30		50	
Rated short-time withstand current 0,2s (Icw)	kA	10 ^{*1}		10		10		25	
Rated conditional short-circuit current (Icc)	kA	120							
Rated control voltage ^{*2}		230V / 50Hz							
Operating transfer time	s	1,2		1,25		2,1		3,3	
Contact transfer time	s	0,6		0,6		1		1,5	
ATSE Class		PC Class AC-33B							
Operation cycles	cycles	6.000		6.000		6.000		4.000	3.000
Maximum weight	kg	2,5		4,3		9		22,5	
Tightening torque	Size	M5	M5	M6	M6	M8	M8	M10	M10
	Nm	2	2	3	3	6	6	10	10
Connection capacity. Cu cable.	mm ²	25	25	50	50	120	120	240	2x185
Connection capacity. Cu Bar	mm ²	-	-	4x20	4x20	5x25	5x25	10x40	10x40

^{*1} 30ms

^{*2} For other voltages, please consult.

► C1 SERIES AUTOMATIC TRANSFER SWITCH | 1P+N, 3P & 3P+N | 63A-630A



Size	Amp	Type	Poles	Connection	Switch	Display *1	Display cover IP66
00	63	G	3P		C1-00633PSMGB	DC1DP01	DC1VD01
			3P+N		C1-00633NSMGB		
		C	1P+N*2		C1-00631NSMCB		
			3P		C1-00633PSMCB		
			3P+N		C1-00633NSMCB		
	80	G	3P		C1-00803PSMGB		
			3P+N		C1-00803NSMGB		
		C	1P+N*2		C1-00801NSMCB		
			3P		C1-00803PSMCB		
			3P+N		C1-00803NSMCB		
	100	G	3P		C1-01003PSMGB		
			3P+N		C1-01003NSMGB		
C		3P		C1-01003PSMCB			
		3P+N		C1-01003NSMCB			
125	G	3P		C1-01253PSMGB			
		3P+N		C1-01253NSMGB			
	C	3P		C1-01253PSMCB			
		3P+N		C1-01253NSMCB			
0	160	G	3P		C1-01603PSMGB		
			3P+N		C1-01603NSMGB		
		C	3P		C1-01603PSMCB		
			3P+N		C1-01603NSMCB		
1	250	G	3P		C1-02503PSMGB		
			3P+N		C1-02503NSMGB		
		C	3P		C1-02503PSMCB		
			3P+N		C1-02503NSMCB		
2	400	G	3P		C1-04003PSMGB		
			3P+N		C1-04003NSMGB		
		C	3P		C1-04003PSMCB		
			3P+N		C1-04003NSMCB		
	630	G	3P		C1-06303PSMGB		
			3P+N		C1-06303NSMGB		
		C	3P		C1-06303PSMCB		
			3P+N		C1-06303NSMCB		

*1 Display available only for type C. Cat 5E Ethernet cable with RJ45 connectors included with the display.

*2 Single-phase version. For more amperages, consult.

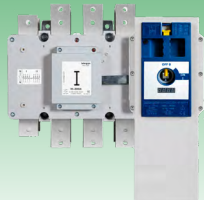
► C2 SERIES AUTOMATIC TRANSFER SWITCH | 1P+N, 3P & 3P+N | 63A-630A



Size	Amp	Poles	Connection	Switch	Shrouds	Display * ³	Display cover IP66
00	63	1P+N* ²	☐	C2-00631NBDDT	-		
		3P	☐	C2-00633PBDDT			
		3P+N	☐	C2-00633NBDDT			
	80* ²	1P+N* ²	☐	C2-00801NBDDT			
		3P	☐	C2-00803PBDDT			
		3P+N	☐	C2-00803NBDDT			
0	100	1P+N* ²	☐	C2-01251NTDDT	DC2CU01	DC1DP01	DC1VD01
		3P	☐	C2-01003PTDDT			
		3P+N	☐	C2-01003NTDDT			
	125	1P+N* ²	☐	C2-01251NTDDT			
		3P	☐	C2-01253PTDDT			
		3P+N	☐	C2-01253NTDDT			
1	160	3P	☐	C2-01603PTDDT	DC2CU11		
		3P+N	☐	C2-01603NTDDT			
	250	3P	☐	C2-02503PTDDT			
		3P+N	☐	C2-02503NTDDT			
2	400	3P	☐	C2-04003PTDDT	DC2CU21		
		3P+N	☐	C2-04003NTDDT			
	630	3P	☐	C2-06303PTDDT			
		3P+N	☐	C2-06303NTDDT			

*² Single-phase version. For more amperages, consult.
 *³ Cat 5E Ethernet cable with RJ45 connectors included with the display.

S5F Series



Other motorized solutions

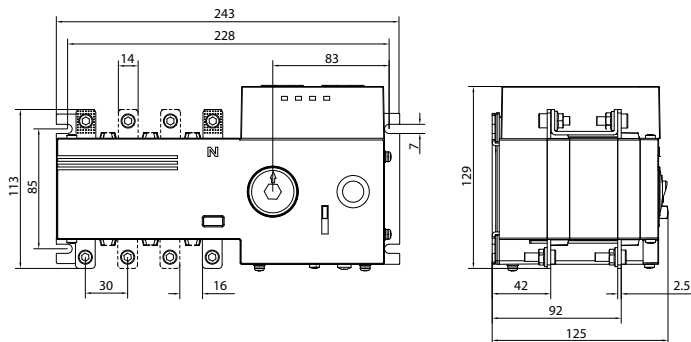
125A-3150A
 3P & 3P+N
 120Vac & 230Vac
 Modbus available

CCF Series



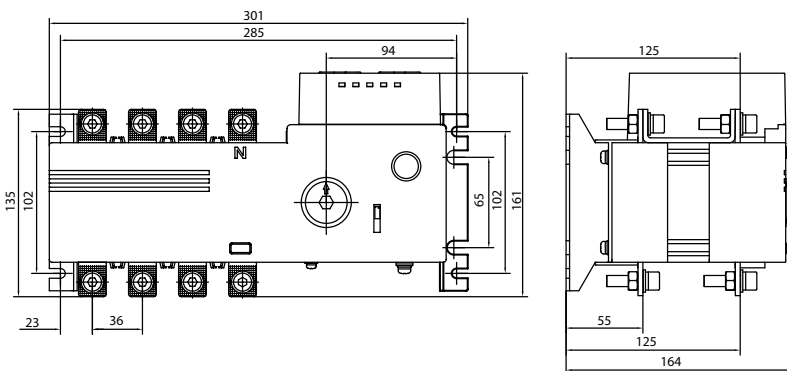
► C1 SERIES | DIMENSIONS

Size 00 (63A-80A-100A-125A)

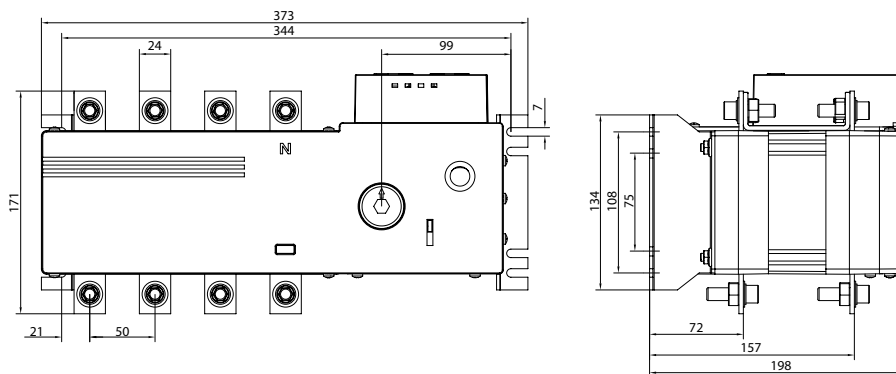


In the single-phase version, only terminals L1 and N are included.

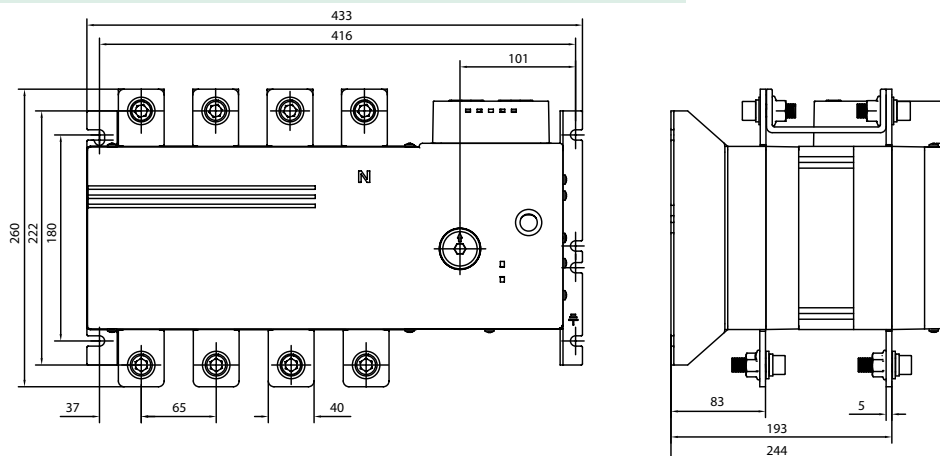
Size 0 (160A)



Size 1 (250A)

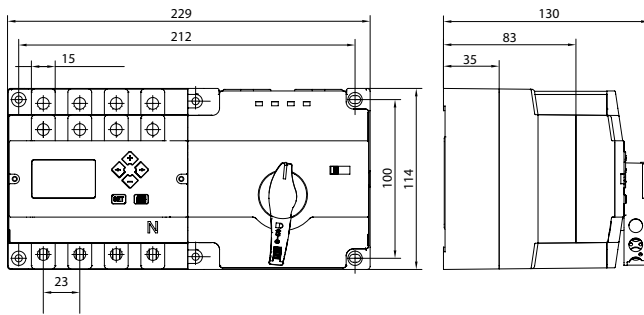


Size 2 (400A-630A)



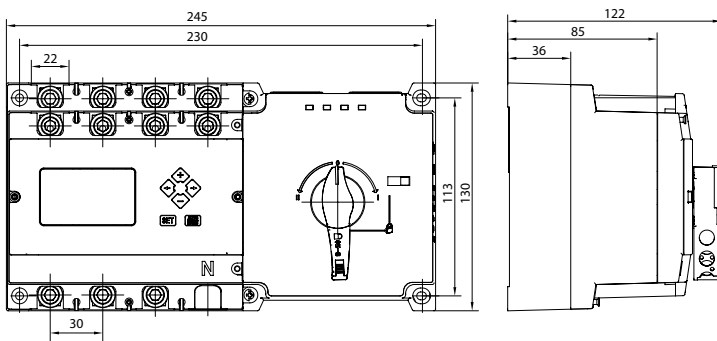
► C2 SERIES | DIMENSIONS

Size 00 (63A-80A)



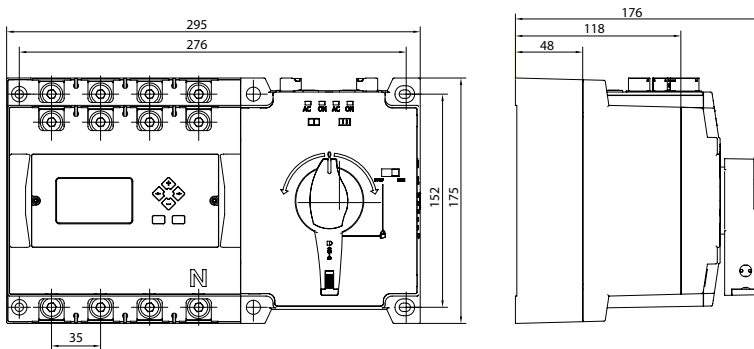
In the single-phase version, only terminals L1 and N are included.

Size 0 (100A-125A)

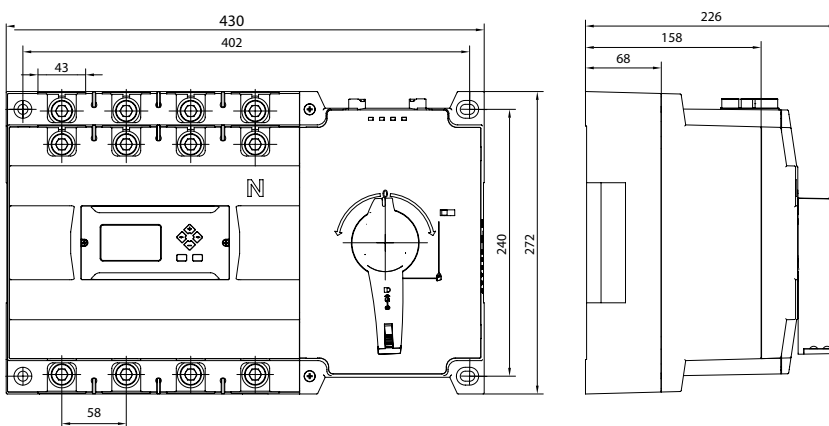


In the single-phase version, only terminals L1 and N are included.

Size 1 (160A-250A)



Size 2 (400A-630 A)



► CTRL1 SERIES ENCLOSED SOLUTIONS | 1P+N, 3P & 3P+N | 63A-630A



Size	Amp	Material	Poles	Connection	Code	Display * ³	Display cover IP66
00	63	Metal	1P+N* ²		CTRL1C00631NSBM	DC1DP01	DC1VD01
		Metal	3P+N		CTRL1C00633NSBM		
		Polyester	1P+N* ²		CTRL1P00801NSBM		
		Polyester	3P+N		CTRL1P00633NSBM		
	80	Metal	1P+N* ²		CTRL1C00803NSBM		
		Metal	3P+N		CTRL2C00803NBBN		
		Polyester	1P+N* ²		CTRL1P00801NSBM		
		Polyester	3P+N		CTRL1P00803NSBM		
0	100	Metal	3P+N		CTRL1C01003NSBM		
		Polyester	3P+N		CTRL1P01003NSBM		
	125	Metal	3P+N		CTRL1C01253NSBM		
		Polyester	3P+N		CTRL1P01253NSBM		
1	160	Metal	3P+N		CTRL1C01603NSBM		
		Polyester	3P+N		CTRL1P01603NSBM		
	250	Metal	3P+N		CTRL1C02503NSBM		
		Polyester	3P+N		CTRL1P02503NSBM		
2	400	Metal	3P+N		CTRL1C04003NSBM		
	630	Metal	3P+N		CTRL1C06303NSBM		

*² Single-phase version. For more amperages, consult.

*³ Cat 5E Ethernet cable with RJ45 connectors included with the display.

► CTRL2 SERIES ENCLOSED SOLUTIONS | 1P+N, 3P & 3P+N | 63A-630A



Size	Amp	Material	Poles	Connection	Code	Shrouds	Display * ³	Display cover IP66
00	63	Metal	1P+N* ²		CTRL2C00631NBBN	-		
		Metal	3P+N		CTRL2C00633NBBN			
		Polyester	1P+N* ²		CTRL2P00801NBBN			
		Polyester	3P+N		CTRL2P00633NBBN			
	80	Metal	1P+N* ²		CTRL2C00801NBBN			
		Metal	3P+N		CTRL2C00803NBBN			
		Polyester	1P+N* ²		CTRL2P00801NBBN			
		Polyester	3P+N		CTRL2P00803NBBN			
0	100	Metal	3P+N		CTRL2C01003NTBN	DC2CU01	DC1DP01	DC1VD01
		Polyester	3P+N		CTRL2P01003NBBN			
	125	Metal	3P+N		CTRL2C01253NTBN			
		Polyester	3P+N		CTRL2P01253NBBN			
1	160	Metal	3P+N		CTRL2C01603NTBN	DC2CU11		
		Polyester	3P+N		CTRL2P01603NBBN			
	250	Metal	3P+N		CTRL2C02503NTBN			
		Polyester	3P+N		CTRL2P02503NBBN			
2	400	Metal	3P+N		CTRL2C04003NTBO	DC2CU21		
	630	Metal	3P+N		CTRL2C06303NTBO			

*² Single-phase version. For more amperages, consult.

*³ Cat 5E Ethernet cable with RJ45 connectors included with the display.

CTRCFC - S5F Series



Other enclosed solutions

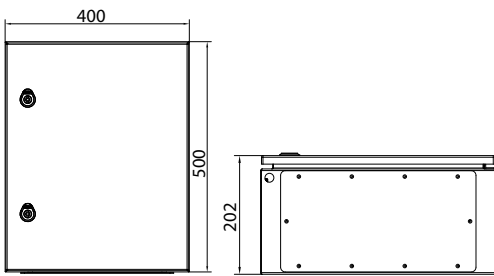
125A-2000A
3P & 3P+N
IP65
Main - Gen management

CTRCCC - CCF Series

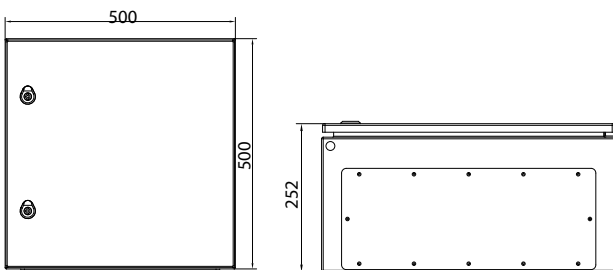


▶ CTRL1 SERIES | DIMENSIONS

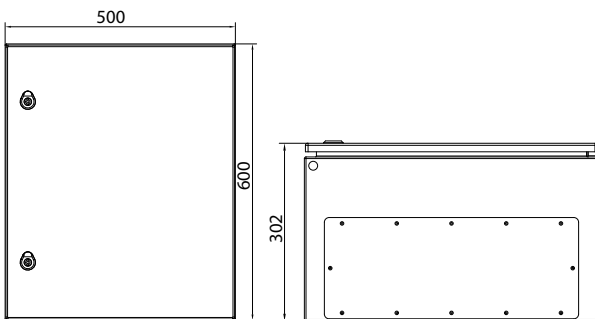
Metal - Size 00 (63A-80A)



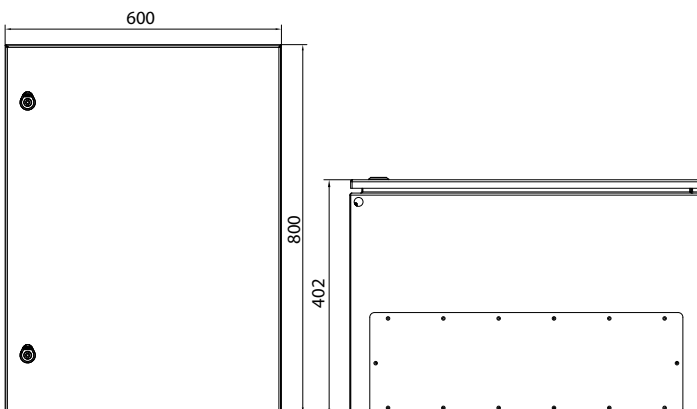
Metal - Size 0 (100A-125A)



Metal - Size 1 (160A-250A)

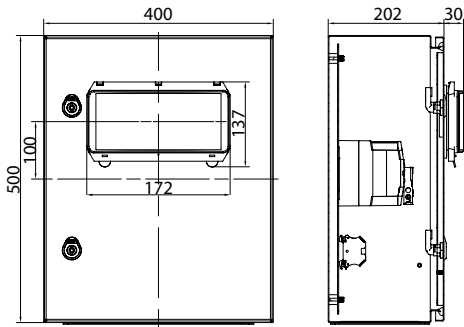


Metal - Size 2 (400A-630A)

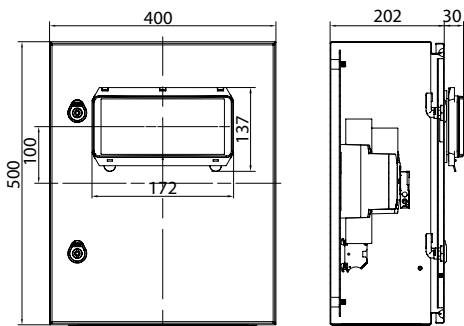


▶ CTRL2 SERIES | DIMENSIONS

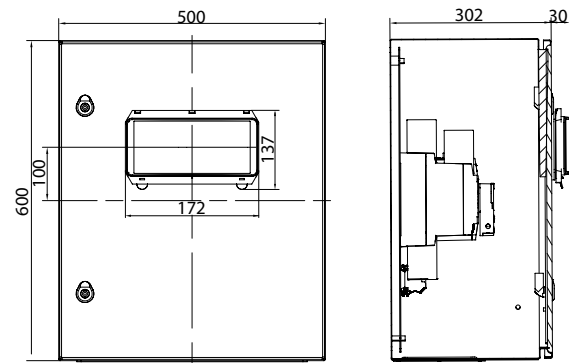
Metal - Size 00 (63A-80A)



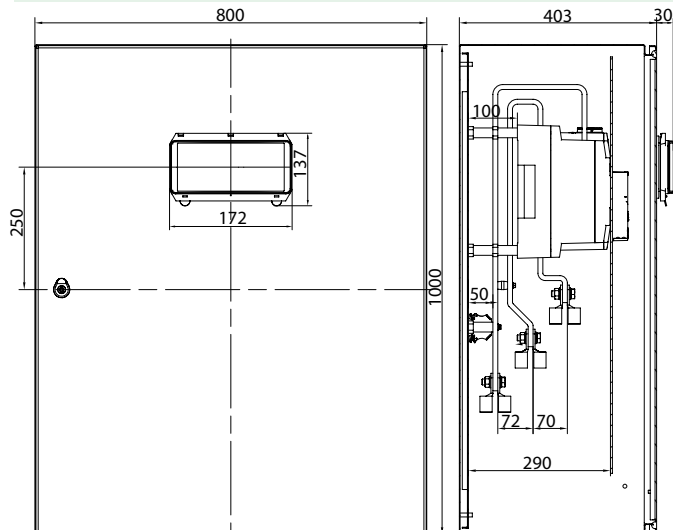
Metal - Size 0 (100A-125A)



Metal - Size 1 (160A-250A)



Metal - Size 2 (400A-630A)





Telergon, SAU
Ctra. Castellón - Pol. La Cartuja
50720 La Cartuja Baja
Zaragoza, Spain



Tel. +34 976 500 876
info@telergon.com
www.telergon.com