



ATS

Automatic Transfer Switch



Automatic Transfer Switch

An automatic transfer switch (ATS) is a self-acting device that automatically transfers a power supply from its primary source to a backup source during a power failure or outage. It monitors the power supply and detects outages or fluctuations, switching to the backup system without manual intervention. The main objective of this solution is to ensure the continuous power for critical systems.



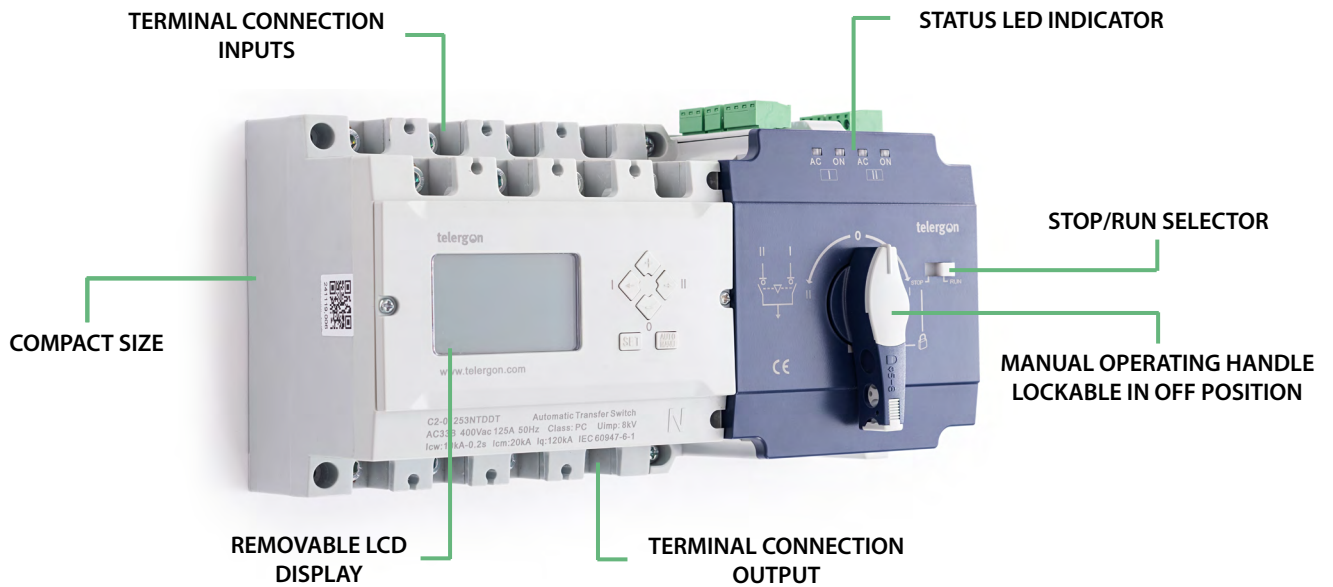
C1 SERIES

63A - 630A



C2 SERIES

63A - 630A



Maintenance free



Easy installation and operation



High short-circuit resistance



Quick make-and-break operation



High electrical and mechanical reliability

Choose your configuration

C1-G Series

Remote operation

- AC-32B
- Easy installation
- Remote control
- Plug & Play



C1-C Series

Automatic transfer

- 3 phase monitor
- Fire-fighting protection
- Generator control
- Auto recovery



C2 Series

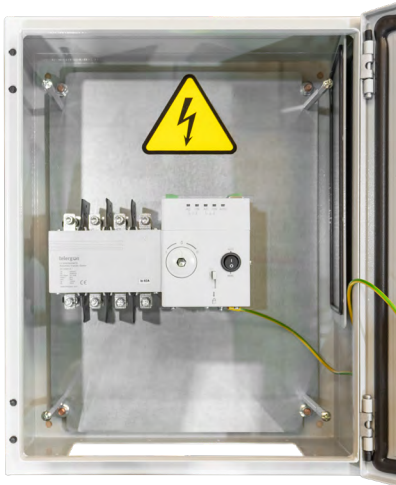
Automatic & programmable

- AC-33B
- LCD display included
- RS485 for remote communication
- Bidirectional transmission



| FUNCTIONS | 63A - 630A | | |
|--|------------|--------|----|
| | C1-G | C1-C | C2 |
| External 230Vac supply for sources I and II | x | | |
| LED indicator: Source I and II availability. ATS position I or II | x | x | x |
| Remote control via potential free contacts | x | | |
| Potential free auxiliary contact 1NO for source I and II | x | | |
| Single phase monitoring (phase loss) | | x | x |
| Auto transfer / auto recovery | | x | x |
| Fire-linkage (passive) | | x | x |
| Generator Start/Stop | | x | x |
| Three phase monitoring (voltage protection + frequency protection) | | x | x |
| Source Priority setting | | x | x |
| DC24V aux power input | | x | x |
| LCD display | | OPTION | x |
| RS-485 | | | x |
| Engine exerciser | | | x |
| AC-32B | x | x | |
| AC-33B | | | x |

Enclosed Transfer Switches



CTRL1 SERIES

63A – 630A

- C1 type C, from 63A to 630A.
- Suitable for environments subject to mechanical risks and dust hazards.
- Protection degree: IP66.
- Colour: RAL 7035.
- Closing plate: Bottom.
- Connection: top (input terminals) and bottom (output terminals)
- Protection: Polycarbonate protection cover.
- Material: 2 mm thick steel.
- Coating: Epoxy resin.
- Mounting: Wall.



CTRL2 SERIES

63A – 630A

- C2 type D, from 63A to 630A.
- Suitable for environments subject to mechanical risks and dust hazards.
- Protection degree: IP66.
- Colour: RAL 7035.
- Closing plate: Bottom.
- Display installed on door with protective cover.
- Connection: $\leq 250A$ top and bottom, $\geq 400A$ bottom (Connection terminals are brought to the bottom of the enclosure via copper connection plates).
- Protection: 63-80Amp flange connection
100-250Amp shrouds.
400-630Amp polycarbonate protection plate.
- Inputs, outputs and auxiliary contacts pre-wired to terminals mounted on DIN rail.
- Material: 2 mm thick steel.
- Coating: Epoxy resin.
- Mounting: Wall.

► TECHNICAL DATA

| According to IEC 60947-6-1 | | 00 | | | | 0 | 1 | 2 | |
|--|-----------------|-----------------|----|-----|-----|-------|-------|-------|-------|
| C1 SERIES | | 63 | 80 | 100 | 125 | 160 | 250 | 400 | 630 |
| Thermal current (Ith) | A | 63 | 80 | 100 | 125 | 160 | 250 | 400 | 630 |
| Rated insulation voltage (Ui) | V | 690 | | | | | | | |
| Rated impulse withstand voltage (Uimp) | kV | 8 | | | | | | | |
| Rated operational current (Ie) | | | | | | | | | |
| AC-31B 415V | A | 63 | 80 | 100 | 125 | 160 | 250 | 400 | 630 |
| AC-32B 415V | | | | | | | | | |
| Rated short-circuit making capacity (peak value) (Icm) | kA | 8 | | | | 17 | 17 | 26 | |
| Rated conditional short-circuit current (Icc) | kA | 120 | | | | | | | |
| Rated control voltage | | 230V / 50Hz | | | | | | | |
| Operating transfer time | s | 1,7 | | | | 2,3 | 3,1 | 2,1 | |
| Contact transfer time | s | 0,7 | | | | 1 | 1,2 | 0,8 | |
| TSE Class | | PC class AC-32B | | | | | | | |
| Operation cycles | cycles | 6.000 | | | | 6.000 | 6.000 | 4.000 | 3.000 |
| Maximum weight | kg | 3,8 | | | | 8,5 | 11,5 | 22,6 | |
| Tightening torque | Size | M6 | | | | M8 | M10 | M12 | |
| | Nm | 3 | | | | 6 | 10 | 14 | |
| Connection capacity. Cu cable. | mm ² | 50 | | | | 70 | 120 | 240 | 2x240 |

| According to IEC 60947-6-1 | | 00 | | 0 | | 1 | | 2 | |
|--|-----------------|------------------|----|-------|------|-------|------|-------|-------|
| C2 SERIES | | 63 | 80 | 100 | 125 | 160 | 250 | 400 | 630 |
| Thermal current (Ith) | A | 63 | 80 | 100 | 125 | 160 | 250 | 400 | 630 |
| Rated insulation voltage (Ui) | V | 690 | | | | | | | |
| Rated impulse withstand voltage (Uimp) | kV | 8 | | | | | | | |
| Rated operational current (Ie) | | | | | | | | | |
| AC-31B 415V | A | 63 | 80 | 100 | 125 | 160 | 250 | 400 | 630 |
| AC-32B 415V | | | | | | | | | |
| AC-33B 415V | | | | | | | | | |
| Rated short-circuit making capacity (peak value) (Icm) | kA | 15 | | 20 | | 30 | | 50 | |
| Rated short-time withstand current 0,2s (Icw) | kA | 10* ¹ | | 10 | | 10 | | 25 | |
| Rated conditional short-circuit current (Icc) | kA | 120 | | | | | | | |
| Rated control voltage * ² | | 230V / 50Hz | | | | | | | |
| Operating transfer time | s | 1,2 | | 1,25 | | 2,1 | | 3,3 | |
| Contact transfer time | s | 0,6 | | 0,6 | | 1 | | 1,5 | |
| ATSE Class | | PC Class AC-33B | | | | | | | |
| Operation cycles | cycles | 6.000 | | 6.000 | | 6.000 | | 4.000 | 3.000 |
| Maximum weight | kg | 2,5 | | 4,3 | | 9 | | 22,5 | |
| Tightening torque | Size | M5 | M5 | M6 | M6 | M8 | M8 | M10 | M10 |
| | Nm | 2 | 2 | 3 | 3 | 6 | 6 | 10 | 10 |
| Connection capacity. Cu cable. | mm ² | 25 | 25 | 50 | 50 | 120 | 120 | 240 | 2x185 |
| Connection capacity. Cu Bar | mm ² | - | - | 4x20 | 4x20 | 5x25 | 5x25 | 10x40 | 10x40 |

*¹ 30ms

*² For other voltages, please consult.

► C1 SERIES AUTOMATIC TRANSFER SWITCH | 1P+N, 3P & 3P+N | 63A-630A



| Size | Amp | Type | Poles | Connection | Switch | Shrouds* ¹ | Display * ³ | Display cover IP67 |
|------|------|--------------------|--------------------|---------------|---------------|-----------------------|------------------------|--------------------|
| 00 | 63 | G | 3P | | C1-00633PSMGB | DC1CUB1 | | |
| | | | 3P+N | | C1-00633NSMGB | | | |
| | | C | 1P+N* ² | | C1-00631NSMCB | | | |
| | | | 3P | | C1-00633PSMCB | | | |
| | | | 3P+N | | C1-00633NSMCB | | | |
| | | | 80 | G | 3P | | | |
| | 3P+N | | | | C1-00803NSMGB | | | |
| | C | 1P+N* ² | | C1-00801NSMCB | | | | |
| | | 3P | | C1-00803PSMCB | | | | |
| | | 3P+N | | C1-00803NSMCB | | | | |
| | | 100 | G | 3P | | | | |
| | 3P+N | | | | C1-01003NSMGB | | | |
| C | 3P | | | C1-01003PSMCB | | | | |
| | 3P+N | | | C1-01003NSMCB | | | | |
| 125 | G | 3P | | C1-01253PSMGB | | | | |
| | | 3P+N | | C1-01253NSMGB | | | | |
| | C | 3P | | C1-01253PSMCB | | | | |
| | | 3P+N | | C1-01253NSMCB | | | | |
| 0 | 160 | G | 3P | | C1-01603PSMGB | DC1CU01 | DC1DP01 | DC1VD01 |
| | | | 3P+N | | C1-01603NSMGB | | | |
| | | C | 3P | | C1-01603PSMCB | | | |
| | | | 3P+N | | C1-01603NSMCB | | | |
| 1 | 250 | G | 3P | | C1-02503PSMGB | DC1CU11 | | |
| | | | 3P+N | | C1-02503NSMGB | | | |
| | | C | 3P | | C1-02503PSMCB | | | |
| | | | 3P+N | | C1-02503NSMCB | | | |
| 2 | 400 | G | 3P | | C1-04003PSMGB | DC1CU21 | | |
| | | | 3P+N | | C1-04003NSMGB | | | |
| | | C | 3P | | C1-04003PSMCB | | | |
| | | | 3P+N | | C1-04003NSMCB | | | |
| | 630 | G | 3P | | C1-06303PSMGB | | | |
| | | | 3P+N | | C1-06303NSMGB | | | |
| | | C | 3P | | C1-06303PSMCB | | | |
| | | | 3P+N | | C1-06303NSMCB | | | |

*¹ To protect inputs and outputs, 2 units are required.

*² Single-phase version. For more amperages, consult.

*³ Display available only for type C. Cat 5E Ethernet cable with RJ45 connectors included with the display.

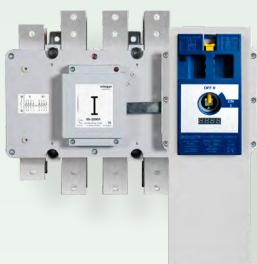
► C2 SERIES AUTOMATIC TRANSFER SWITCH | 1P+N, 3P & 3P+N | 63A-630A



| Size | Amp | Poles | Connection | Switch | Extension bars | Shrouds*1 | Display *3 | Display cover IP67 |
|------|-----|--------|------------|---------------|----------------|-----------|------------|--------------------|
| 00 | 63 | 1P+N*2 | | C2-00631NBDDT | - | - | | |
| | | 3P | | C2-00633PBDDT | | | | |
| | | 3P+N | | C2-00633NBDDT | | | | |
| | 80 | 1P+N*2 | | C2-00801NBDDT | | | | |
| | | 3P | | C2-00803PBDDT | | | | |
| | | 3P+N | | C2-00803NBDDT | | | | |
| 0 | 100 | 1P+N*2 | | C2-01251NTDDT | DC2EB01 | DC2CU01 | DC1DP01 | DC1VD01 |
| | | 3P | | C2-01003PTDDT | | | | |
| | | 3P+N | | C2-01003NTDDT | | | | |
| | 125 | 1P+N*2 | | C2-01251NTDDT | | | | |
| | | 3P | | C2-01253PTDDT | | | | |
| | | 3P+N | | C2-01253NTDDT | | | | |
| 1 | 160 | 3P | | C2-01603PTDDT | DC2EB11 | DC2CU11 | | |
| | | 3P+N | | C2-01603NTDDT | | | | |
| | 250 | 3P | | C2-02503PTDDT | | | | |
| | | 3P+N | | C2-02503NTDDT | | | | |
| 2 | 400 | 3P | | C2-04003PTDDT | DC2EB21 | DC2CU21 | | |
| | | 3P+N | | C2-04003NTDDT | | | | |
| | 630 | 3P | | C2-06303PTDDT | | | | |
| | | 3P+N | | C2-06303NTDDT | | | | |

*1 To protect inputs and outputs, 2 units are required.
 *2 Single-phase version. For more amperages, consult.
 *3 Cat 5E Ethernet cable with RJ45 connectors included with the display.

S5F Series



OTHER MOTORIZED SOLUTIONS

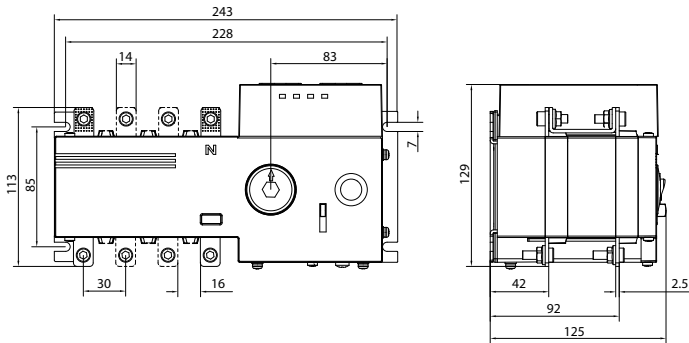
125A-3150A
 3P & 3P+N
 120Vac & 230Vac
 Modbus available

CCF Series



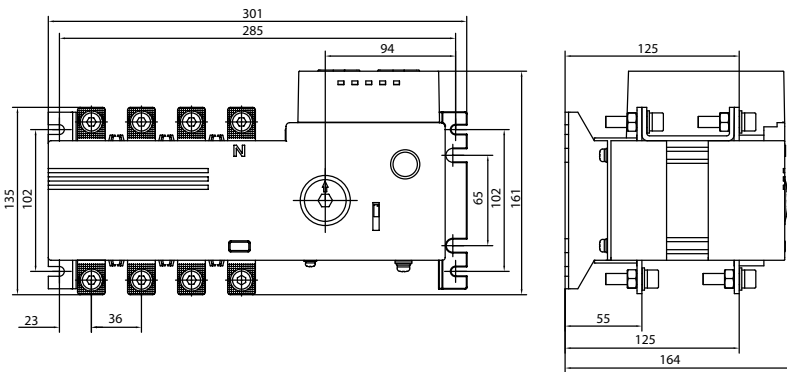
► C1 SERIES | DIMENSIONS

Size 00 (63A-80A-100A-125A)

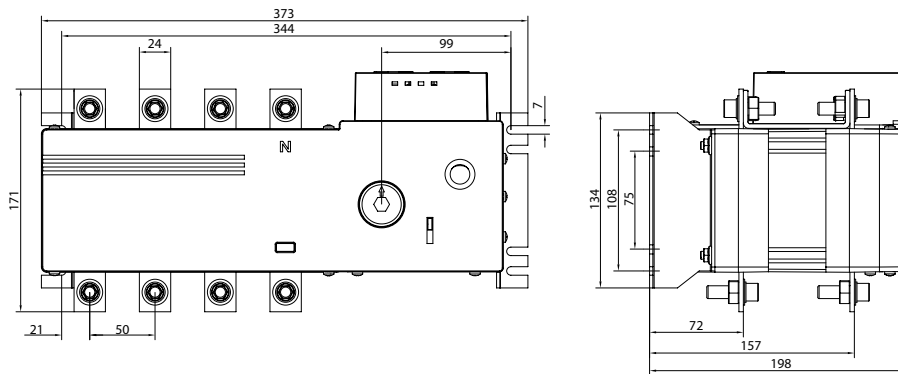


In the single-phase version, only terminals L1 and N are included.

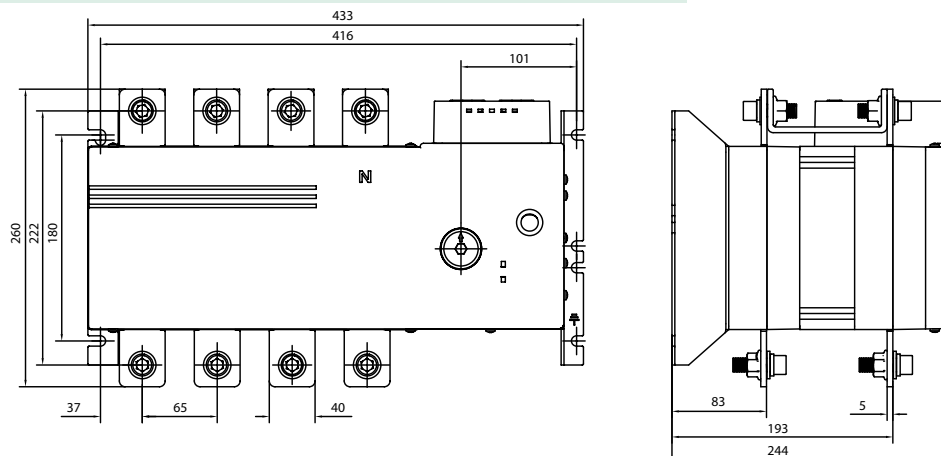
Size 0 (160A)



Size 1 (250A)

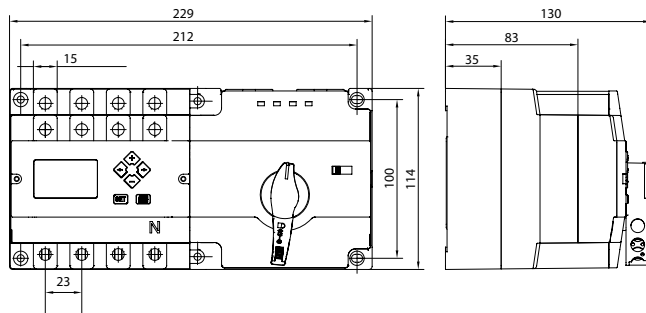


Size 2 (400A-630A)



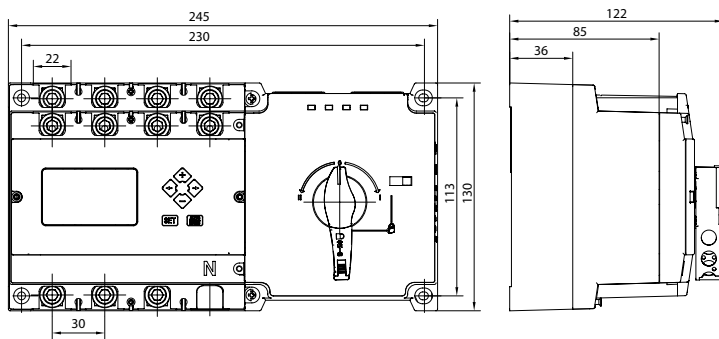
► C2 SERIES | DIMENSIONS

Size 00 (63A-80A)



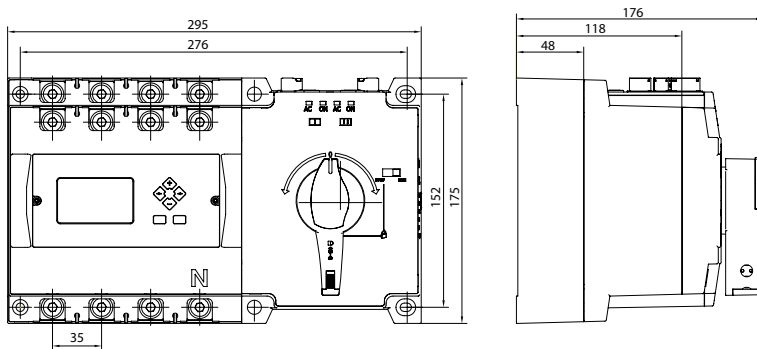
In the single-phase version, only terminals L1 and N are included.

Size 0 (100A-125A)

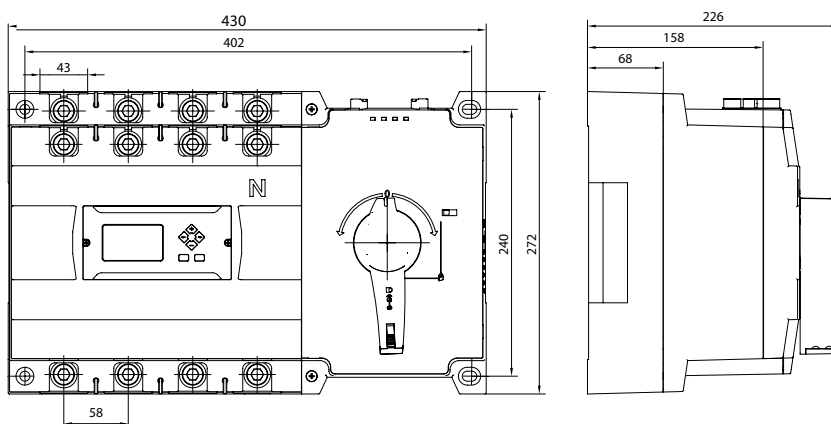


In the single-phase version, only terminals L1 and N are included.

Size 1 (160A-250A)



Size 2 (400A-630 A)



► CTRL1 SERIES ENCLOSED SOLUTIONS | 1P+N, 3P & 3P+N | 63A-630A

IP66



| Size | Amp | Material | Poles | Connection | Code | Display * ³ | Display cover IP66 |
|------|-----|-----------|--------------------|------------|-----------------|------------------------|--------------------|
| 00 | 63 | Metal | 1P+N* ² | | CTRL1C00631NSBM | DC1DP01 | DC1VD01 |
| | | Metal | 3P+N | | CTRL1C00633NSBM | | |
| | | Polyester | 1P+N* ² | | CTRL1P00801NSBM | | |
| | | Polyester | 3P+N | | CTRL1P00633NSBM | | |
| | 80 | Metal | 1P+N* ² | | CTRL1C00803NSBM | | |
| | | Metal | 3P+N | | CTRL2C00803NBBN | | |
| | | Polyester | 1P+N* ² | | CTRL1P00801NSBM | | |
| | | Polyester | 3P+N | | CTRL1P00803NSBM | | |
| 0 | 100 | Metal | 3P+N | | CTRL1C01003NSBM | | |
| | | Polyester | 3P+N | | CTRL1P01003NSBM | | |
| | 125 | Metal | 3P+N | | CTRL1C01253NSBM | | |
| | | Polyester | 3P+N | | CTRL1P01253NSBM | | |
| 1 | 160 | Metal | 3P+N | | CTRL1C01603NSBM | | |
| | | Polyester | 3P+N | | CTRL1P01603NSBM | | |
| | 250 | Metal | 3P+N | | CTRL1C02503NSBM | | |
| | | Polyester | 3P+N | | CTRL1P02503NSBM | | |
| 2 | 400 | Metal | 3P+N | | CTRL1C04003NSBM | | |
| | 630 | Metal | 3P+N | | CTRL1C06303NSBM | | |

*² Single-phase version. For more amperages, consult.

*³ Cat 5E Ethernet cable with RJ45 connectors included with the display.

► CTRL2 SERIES ENCLOSED SOLUTIONS | 1P+N, 3P & 3P+N | 63A-630A

IP66



| Size | Amp | Material | Poles | Connection | Code |
|------|-----|-----------|--------|------------|-----------------|
| 00 | 63 | Metal | 1P+N*2 | | CTRL2C00631NBBN |
| | | Metal | 3P+N | | CTRL2C00633NBBN |
| | | Polyester | 1P+N*2 | | CTRL2P00801NBBN |
| | | Polyester | 3P+N | | CTRL2P00633NBBN |
| | 80 | Metal | 1P+N*2 | | CTRL2C00801NBBN |
| | | Metal | 3P+N | | CTRL2C00803NBBN |
| | | Polyester | 1P+N*2 | | CTRL2P00801NBBN |
| | | Polyester | 3P+N | | CTRL2P00803NBBN |
| 0 | 100 | Metal | 3P+N | | CTRL2C01003NTBN |
| | | Polyester | 3P+N | | CTRL2P01003NBBN |
| | 125 | Metal | 3P+N | | CTRL2C01253NTBN |
| | | Polyester | 3P+N | | CTRL2P01253NBBN |
| 1 | 160 | Metal | 3P+N | | CTRL2C01603NTBN |
| | | Polyester | 3P+N | | CTRL2P01603NBBN |
| | 250 | Metal | 3P+N | | CTRL2C02503NTBN |
| | | Polyester | 3P+N | | CTRL2P02503NBBN |
| 2 | 400 | Metal | 3P+N | | CTRL2C04003NTBO |
| | 630 | Metal | 3P+N | | CTRL2C06303NTBO |

*2 Single-phase version. For more amperages, consult.
Accessories included in the assembly: shrouds (for sizes 0, 1 and 2), display, and display cover.

CTRCFC - S5F Series



OTHER ENCLOSED SOLUTIONS

125A-2000A

3P & 3P+N

IP65

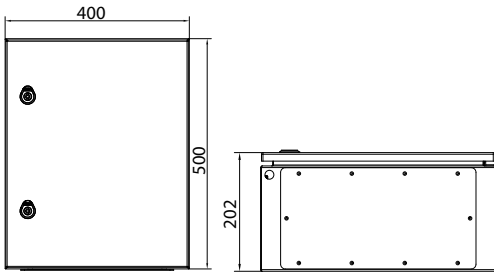
Main - Gen management

CTRCCC - CCF Series

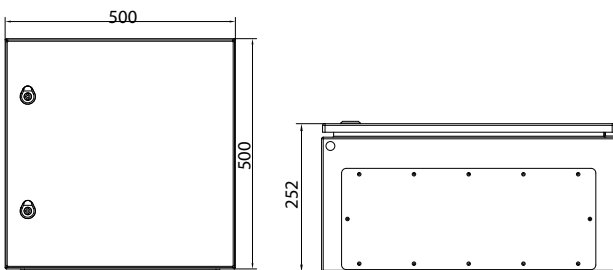


▶ CTRL1 SERIES | DIMENSIONS

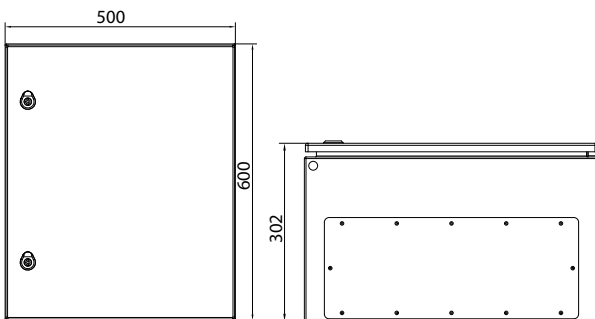
Metal - Size 00 (63A-80A)



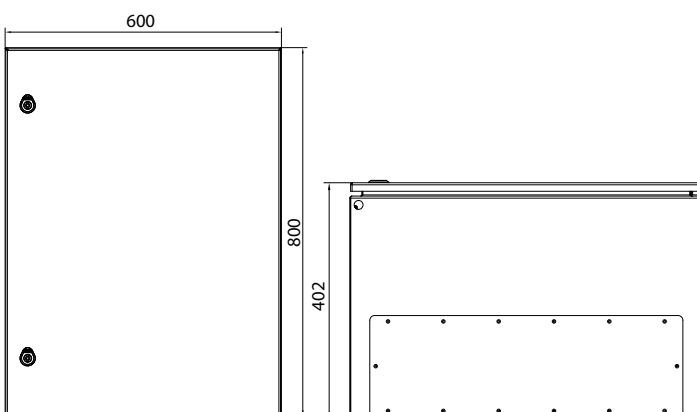
Metal - Size 0 (100A-125A)



Metal - Size 1 (160A-250A)

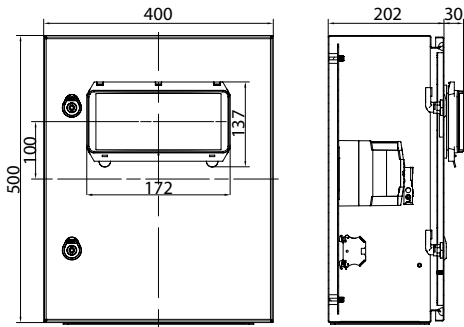


Metal - Size 2 (400A-630A)

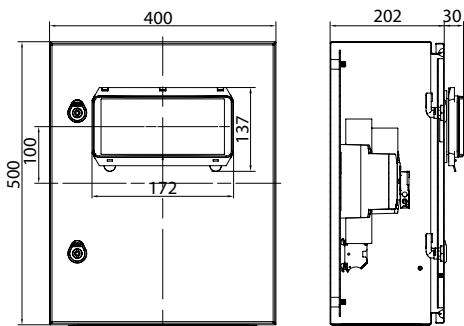


▶ CTRL2 SERIES | DIMENSIONS

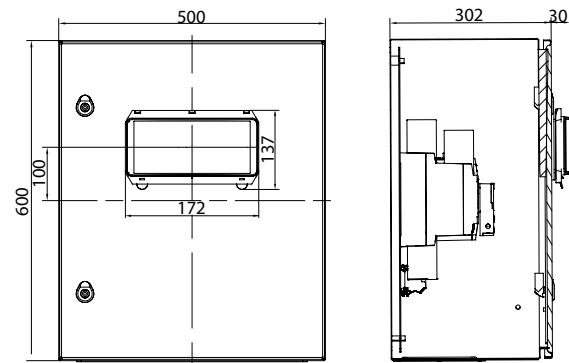
Metal - Size 00 (63A-80A)



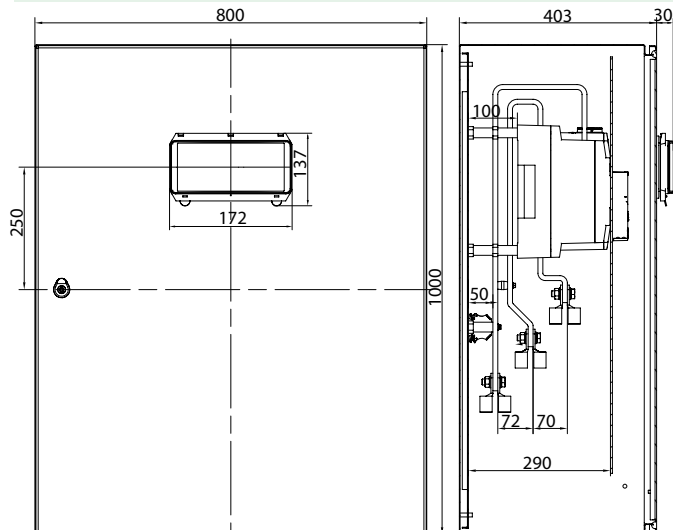
Metal - Size 0 (100A-125A)



Metal - Size 1 (160A-250A)



Metal - Size 2 (400A-630A)





Telergon, SAU
Ctra. Castellón - Pol. La Cartuja
50720 La Cartuja Baja
Zaragoza, Spain



Tel. +34 976 500 876
info@telergon.com
www.telergon.com