

SERIES S6/4&5

AC Switch specially designed for Utilities and BESS

1

Reliability and Performance

From 1250 A up to 3150 A in 3P, 3P+N, and 4P. It is ideal for electrical and industrial distribution, guaranteeing safety and high performance in applications such as UPS, MCC, air conditioning, and energy compensation.

2

Great connection capacity

Terminal up to 80mm wide, fully usable due to its oval holes and 120mm phase spacing.

- **Phase barriers:** optional use
- **Terminal lugs:** up to 4x240 mm²
- **Busbar:** 50, 80 mm



3

Compact size

Compact case adapted to the number of poles, with up to 45% smaller footprint than other models, facilitating installation and improving performance.

4

Environmentally friendly

It follows eco-design principles, using fewer raw materials and 100% recyclable components to minimize environmental impact.



▶ PRODUCT RANGE

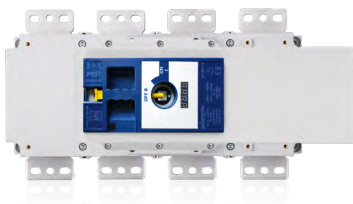
AC

Amp	Size	3P		3P+N		Manual handle						Shaft extension	
		4A		External		Direct		External emergency		Type 1 & 2			
		Code	Code	Code	Code	Code	Code	Code	Code	L	Code		
1250	4	S6-12503PS0	S6-12503NS0	3P	DS-LA45	3P	DS-LI45	DS-LR41	14	485	DS-EP44		
1600		S6-16003PS0	S6-16003NS0										
1800		S6-18003PS0	S6-16004AS0	3P+N	DS-LA41	3P+N	DS-LI41					635	DS-EP45
2000	S6N20003PS0	S6N20003NS0	DS-LA41					DS-LI41	DS-LR41	-	-		
2500	S6N25003PS0	S6N25003NS0											
3150	S6N31503PS0	S6N31503NS0											

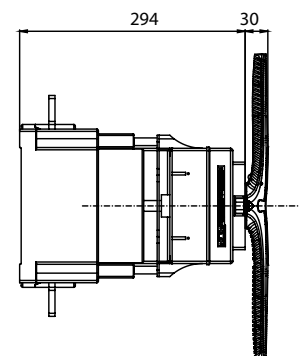
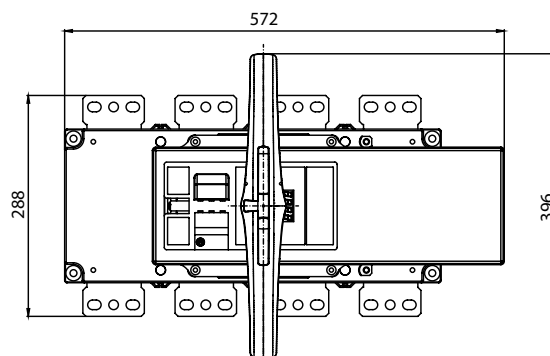
▶ TECHNICAL INFORMATION

IEC 60947-3		Type	1250 A	1600 A	1800 A	2000 A	2500 A	3150 A
Electrical characteristics	Thermal current	I _{th} (-5°C to +40°C)	1250 A	1600 A	1800 A	2000 A	2500 A	3150 A
	Rated insulation voltage	U _i	1000Vdc					
	Rated impulse withstand voltage	U _{imp}	12 kA					
	Rated operational current	I _e (A)	U _e 400V	1250 A AC-22B	1600 A AC-22A	1800 A AC-22B	2000 A AC-22A	2500 A AC-22B
Short-circuit behaviour	Rated short-circuit making capacity	I _{cm}	kA (peak)		60		60	
	Rated short-time withstand current (1s)	I _{cw}	kA rms		50		60	
Connection capacity	Copper bar (thickness / width)	mm	2x80x5	2x6x80	2x9x80	2x10x70	4x6x80	4x10x70
	Rigid cable	mm ²	800	1000	1500	1500	2000	3000
	Max. Connecting copper bar	mm	80					
	Tightening torque	N·m	45					
Mechanical characteristics	Maximum number of cycles without load (according to regulations)	Cycles	600	3000	600	3000	600	400
	Maximum weigh	3P	Kg		10,5		24,5	
		3P+N	Kg		13,5		28,5	

▶ MOTORIZED UNIT

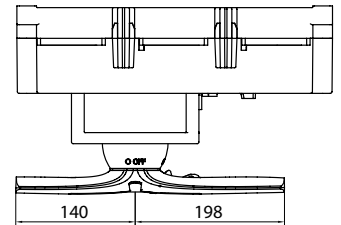
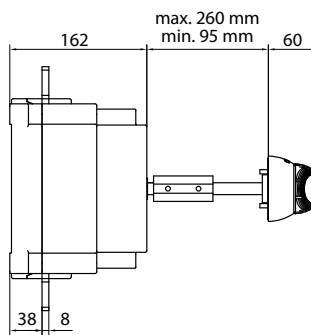
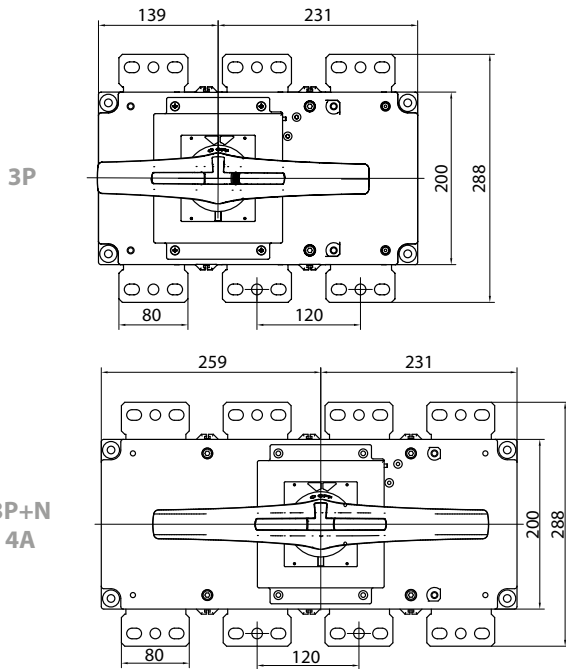


Amp	Size	3P+N		UM-S	
		Code		120Vac	230Vac
		Code	Code	Code	Code
1250	4	S6-12503NSC		UM-S47120M	UM-S47230M
1600		S6-16003NSC			
1800		S6-18003NSC			

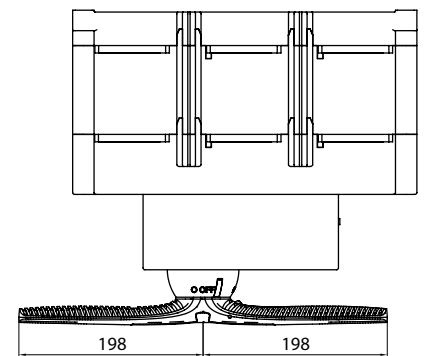
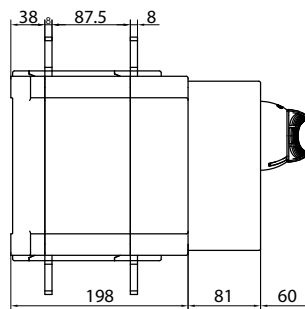
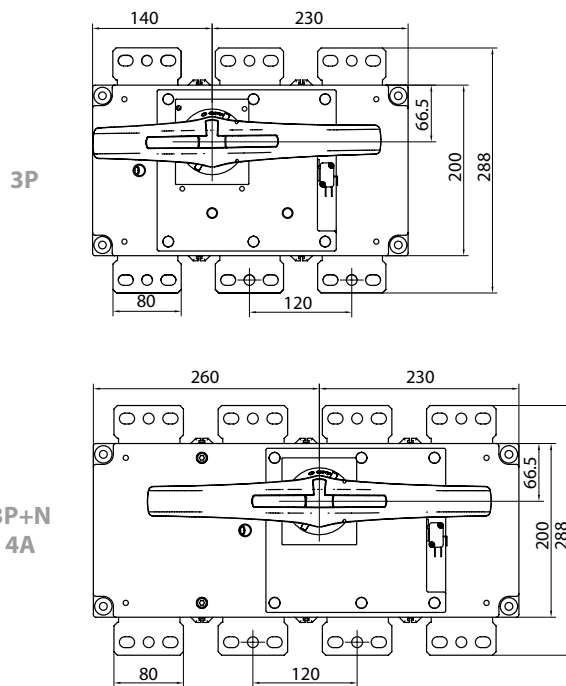


► DIMENSIONS

S6/4
1250A-1800A



S6N/5
2000A-3150A



OTHER APPLICATIONS

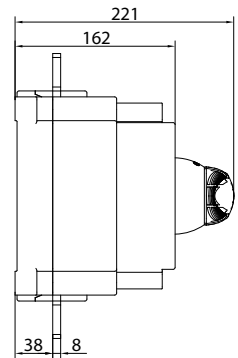
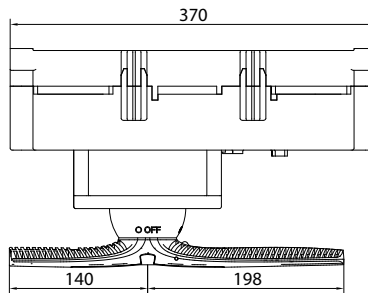
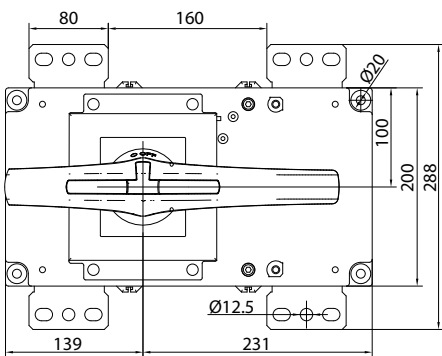
▶ ISOLATION ONLY | 1500VDC

DC



Amp	Size	Code	Handle	
			External	Direct
			Code	Code
1600	4	S6-16002PS0P38	DS-LA45T	DS-LI45T

DIMENSIONS



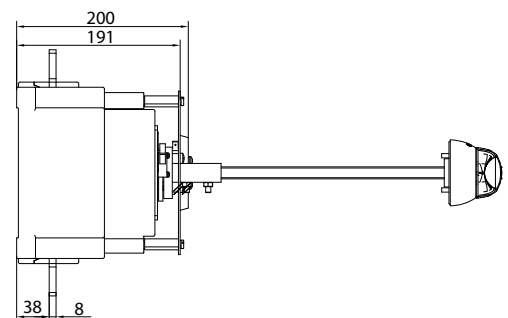
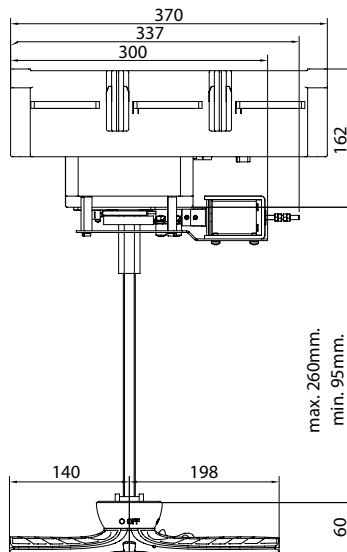
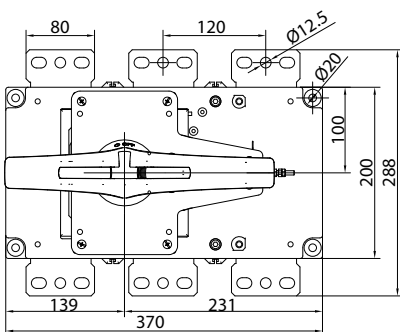
▶ EARTHING SWITCH



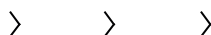
Amp	Size	Code	Manual handle
			External
			Code
1250	4	S6-12503PSEPKO	DS-LA46*1

*1 Within code S6-12503PSEPKO, the handle DS-LA46 is included

DIMENSIONS



Telergon, S.A.U.
Ctra. Castellón (Pol. La Cartuja)
50720 La Cartuja Baja
Zaragoza / Spain



Tel. +34 976 500 876
info@telergon.com
www.telergon.com

