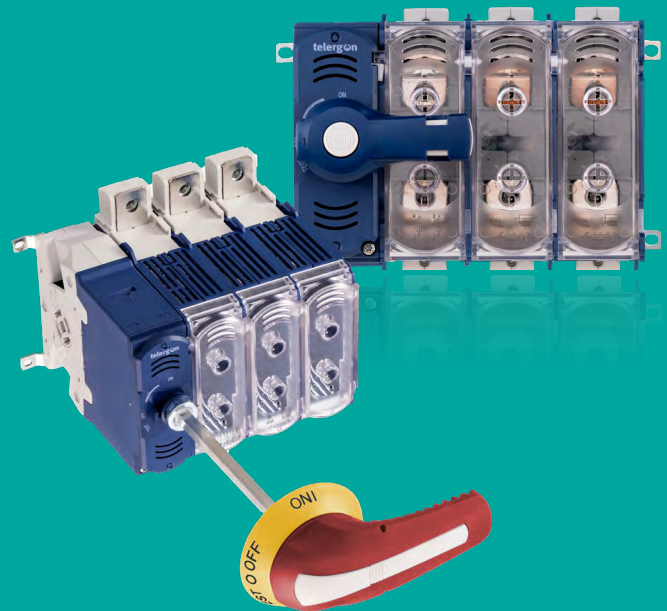


telergon  
gorlan



## M3 Series AC Fusible Disconnects



## Key features

Available in 3-pole, 3P + switched neutral, and 3P + unswitched neutral configurations

Short-circuit current rating up to 200 kA

Double-break contact system for secure fuse isolation

Rated for switching under load

Direct or external handle options with front or side operation, NEMA / UL Type 4X

## Applications

Industrial control panels and electrical enclosures

Commercial building and facility power distribution systems

Utility, infrastructure, and energy applications

OEM applications including HVAC, machinery, and industrial automation

Power electronics and auxiliary power distribution panels



VFD & Motor Control



Data Center



Renewable Energy and Energy Storage



Heavy Industry



Electrical Distribution and MCCs



HVAC and Building Systems

## Certified for Global Markets

UL 98 Listed (WHTY), File E363652

CSA C22.2 No. 4

IEC 60947-3

## ► M3 SERIES | UL 98 & IEC 60947-3 & CSA 22.2 NO.4 | 30A-200A



Frame Size	Amp.	Poles	Switch	Front operation			Side operation		Auxiliary contacts (1 unit)	Auxiliary contacts holder	Phase Barriers	Terminal shrouds	Terminal lugs										
				Direct handle	External handle	Shafts	Direct handle	External handle (shaft included)															
00	30	3P	M3-00303PBJ300L	DM3SIB1	DM3SAB3 Blue 4,4X	DM3EP03 177mm 6.96"	DM3SSB1	DM3SBB2 Blue 4,4X 177mm 6.96inch	DM3AUB1	DM3AMB1 Early make	N/A	N/A	N/A										
		3P+N	M3-00303NBJ300L			DM3EP01 250mm 9.84"					DM3SEB2 Red/Yellow 177mm 6.96inch	DM3ASB1 Simultaneous	DM3CU020L 3P	DM3TL01									
		3P+DN	M3-00303DBJ300L			DM3EP02 387mm 15.23"							DM3CU030L 3P+N										
0	60	3P	M3-00603PTJ400L			DM3SRB3 Red/Yellow 4,4X					DM3SI11	DM3SA13 Blue 4,4X	DM3SS11	DM3SB12 Blue 4,4X 227mm 8.95 inch	DM3AUB1	DM3AM11 Early make	-	DM3CU04 3P+DN	DM3TL11				
		3P+N	M3-00603NTJ400L			DM3EP11 375mm 14.76"											DM3SF12 3P						
		3P+DN	M3-00603DTJ400L			DM3EP12 536mm 21.10"											DM3SF13 3P+N						
1	100	3P	M3-01003NSJ500L	DM3SR13 Red/Yellow 4,4X	DM3SA13 Blue 4,4X	DM3SS11	DM3SB12 Blue 4,4X 227mm 8.95 inch	DM3AUB1	DM3AM11 Early make	DM3AS11 Simultaneous							DM3SF12 3P	DM3CU12 3P		DM3TL11			
		3P+N	M3-01003NSJ500L															DM3EP11 375mm 14.76"			DM3CU13 3P+N		
		3P+DN	M3-01003DSJ500L															DM3EP12 536mm 21.10"			DM3CU14 3P+N		
200	200	3P	M3-02003PSJ600L								DM3SR13 Red/Yellow 4,4X	DM3SA13 Blue 4,4X	DM3SS11	DM3SB12 Blue 4,4X 227 mm 8.93 inch	DM3AUB1	DM3AM11 Early make		DM3AS11 Simultaneous	DM3SF12 3P		DM3CU12 3P	DM3TL11	
		3P+N	M3-02003NSJ600L																		DM3EP11 375mm 14.76"		DM3CU13 3P+N
		3P+DN	M3-02003DSJ600L																		DM3EP12 536mm 21.10"		DM3CU14 3P+N

\* Only shroud the solid neutral, a 3P set is also required.

## ► M3 SERIES | ACCESSORIES



### External handles

NEMA / UL Type 4x  
Padlockable in OFF position with defeatable door interlock.

Disconnect (A)	Color	Operation	Part number
30-60	Blue	Front	DM3SAB3
30-60	Blue	Front. TEST position	DM3SAB4
30-60	Red/Yellow	Front	DM3SRB3
30-60	Blue	Side	DM3SBB2
30-60	Red/Yellow	Side	DM3SEB3
100-200	Blue	Front	DM3SA13
100-200	Blue	Front. TEST position	DM3SA14
100-200	Red/Yellow	Front	DM3SR13
100-200	Blue	Side	DM3SB12
100-200	Red/Yellow	Side	DM3SE12



### Direct handles

Operation handle mounted directly on the switch body

Disconnect (A)	Color	Operation	Part number
30-60	Blue	Front	DM3SIB1
30-60	Blue	Side	DM3SSB1
100-200	Blue	Front	DM3SI11
100-200	Blue	Side	DM3SS11



### Auxiliary contacts

For signaling and control circuits.  
Rated 0.1 A at 125 VAC / 30 VDC.

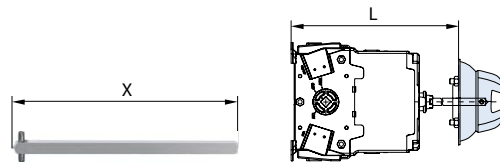
Disconnect (A)	Contacts	Part number
30-60	1NO+1NC	DM3AUB1



### Terminal shrouds

Insulating covers for protection against accidental contact with energized terminals. Two sets required for full line and load coverage.

Disconnect (A)	Poles	Part number
60	3P	DM3CU020L
60	3P+N	DM3CU030L
100-200	3P	DM3CU12
100-200	3P+N	DM3CU13



### Shafts for external handles

For a customized length, please, consult us

Disconnect (A)	Dimensions (L)		Length (X)		Part number
	in	mm	in	mm	
30	4.92...9.45	125...240	6.96	177	DM3EP03
30	4.92...12.33	125...314	9.84	250	DM3EP01
30	4.92...17.72	125...450	15.23	387	DM3EP02
60	5.79...10.63	147...270	6.96	177	DM3EP03
60	5.79...13.50	147...343	9.84	250	DM3EP01
60	5.79...18.90	147...480	15.23	387	DM3EP02
100-200	7.16...13.42	182...3401	8.93	227	DM3EP13
100-200	7.16...19.25	182...489	14.76	375	DM3EP11
100-200	7.16...25.59	182...650	21.10	536	DM3EP12



### Terminal lugs

Mechanical cable lugs used as an alternative to compression lugs

Disconnect (A)	Wires range	Lugs x kit	Part number
60	#6-#2/0	3	DM3TL01
100-200	#3-300MCM	3	DM3TL11



### Phase barriers

Insulating barriers to increase phase-to-phase clearance

Disconnect (A)	Poles	Part number
100-200	3P	DM3SF12
100-200	3P+N	DM3SF13



### Additional auxiliary contact holders

Each switch can hold 1NO+1NC early make auxiliary contact and 1NO+1NC auxiliary contact for the TEST position.  
Additional contact holder can be fixed to increase the number of auxiliary contacts.

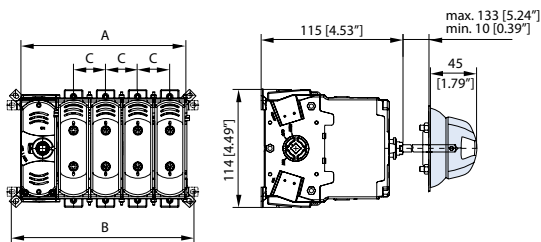
Disconnect (A)	Description	Part number
30-60	Contact holder for 1NO+1NC early make auxiliary contact	DM3AMB1
100-200	Contact holder for 1NO+1NC simultaneous auxiliary contact	DM3ASB1
30-60	Contact holder for 2NO+1NC early make auxiliary contact	DM3AM11
100-200	Contact holder for 2NO+1NC simultaneous auxiliary contact	DM3AS11

## TECHNICAL DATA

UL98, Guide WHTY, File E363652 CSA 22.2 NO.4 File E363652				00	0	1			
				30 A	60 A	100 A	200 A		
Fuse type				J 21x57	J 27x60	J 29x117	J 41x146		
Ratings	Rated Thermal current			A	30	60	100	200	
	General purpose amp rating			600Vac	A	30	60	100	200
	Max. Operating voltage			Vac	600				
	Max. HP rating / motor FLA current	3 Phase	240Vac	HP/A	7,5/22	15/42	30/80	50/130	
			480Vac	HP/A	15/21	30/40	60/77	100/124	
600Vac			HP/A	20/22	50/52	75/77	125/125		
Short-circuit rating at 600Vac			kA	200					
Mechanical endurance	Minimum number of mechanical operations			10000		10000	8000		
	Number of electrical operations			6000					
Connection range	Wire range Flange	AWG	#10-#2	#10- #2/0	#3-300kcmil	#3/0-300kcmil			
	Busbar (Max) Terminal	mm	-	20	30	30			
		inch	-	0.80	1.81	1.81			
	Tightening torque		lb-inch	17.7	53	159	159		

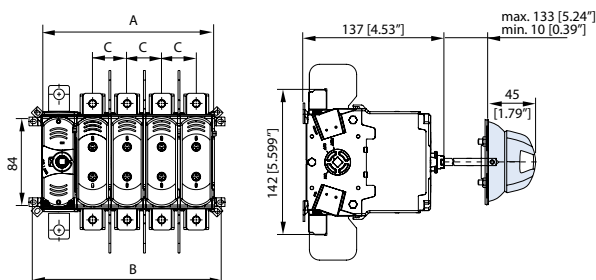
## DIMENSIONAL DRAWINGS

M3  
00



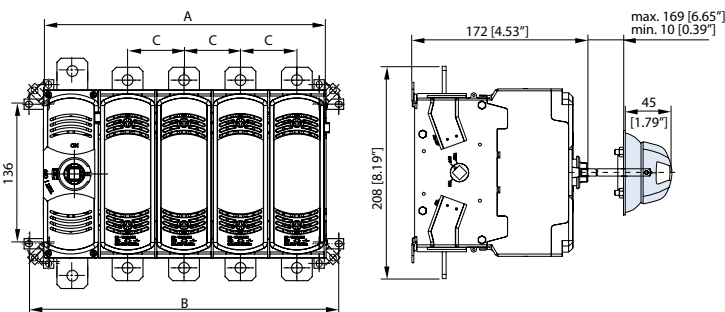
		A		B		C	
		mm	in.	mm	in.	mm	in.
30A	3P	132	5.2	145	5.71	31	1.22
	3P+N	163	6.42	176	6.93	31	1.22

M3  
0



		A		B		C	
		mm	in.	mm	in.	mm	in.
60A	3P	146	5.75	160	6.3	36	1.42
	3P+N	182	7.17	196	7.72	36	1.42

M3  
1



		A		B		C	
		mm	in.	mm	in.	mm	in.
100A 200A	3P	223	8.78	247	9.72	55	2.17
	3P+N	278	10.9	302	11.9	55	2.17

\* 3P+DN dimensions are the same as the 3P